

# Technical Catalogue

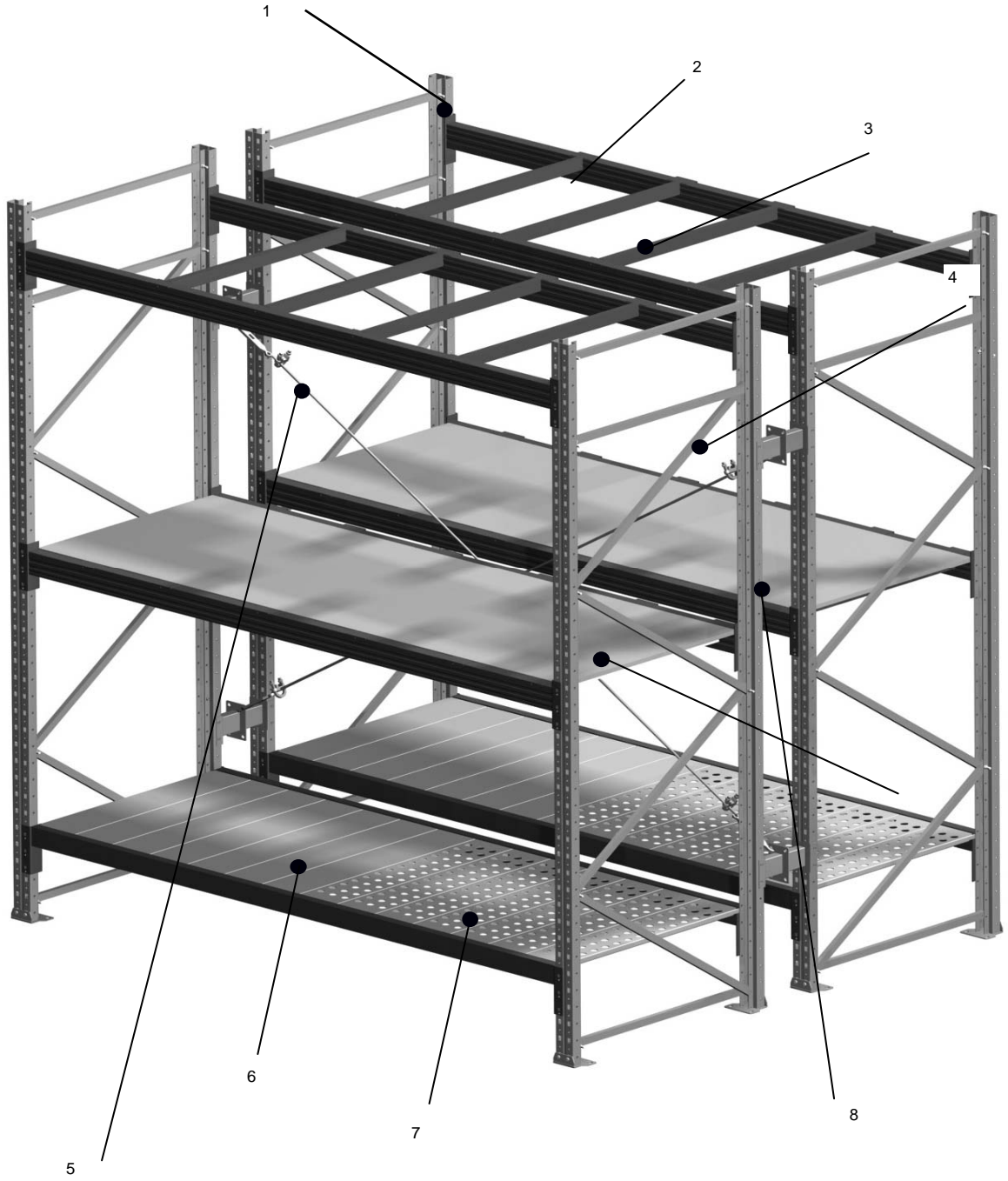
of the shopfitting&design world



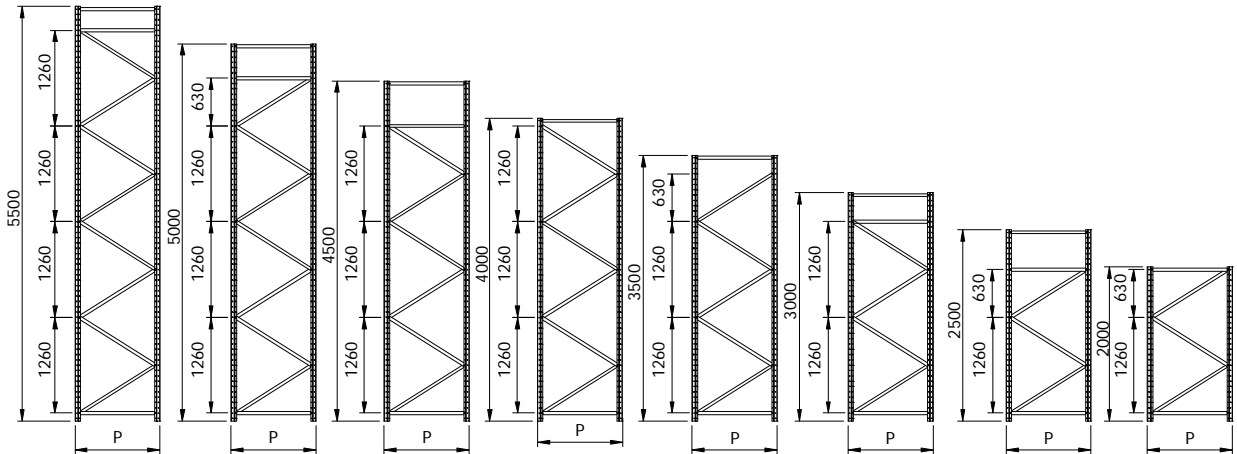
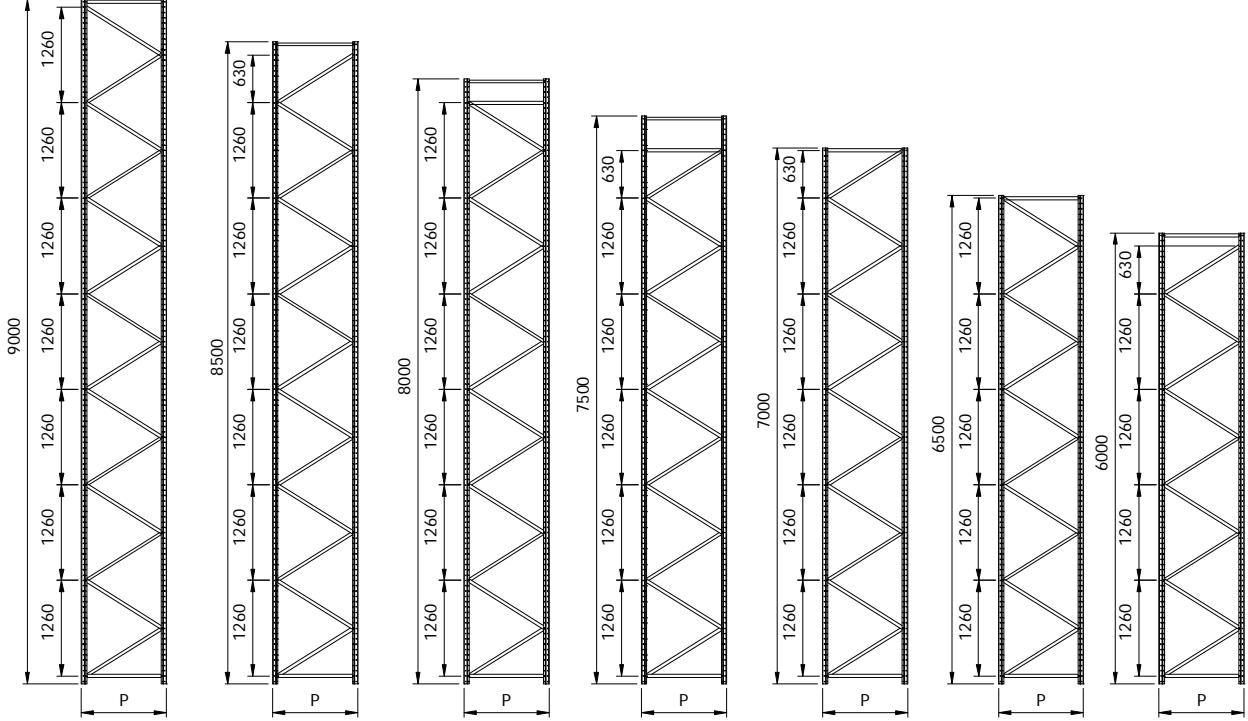
Shopfitting&Storage-Shelves Systems  
[www.ucge.com](http://www.ucge.com)

**Heavy Duty Racks**

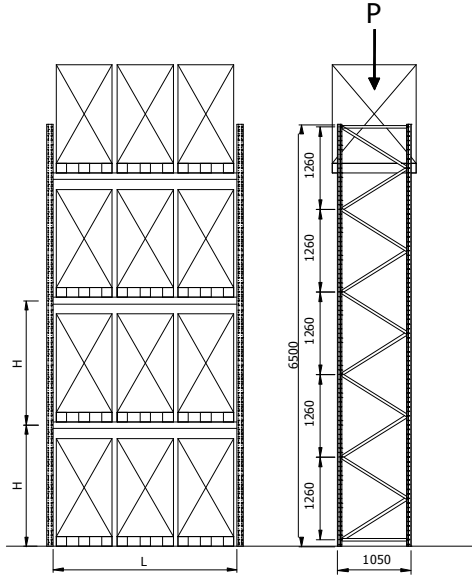
**Ađır Y¼k Sistemleri**



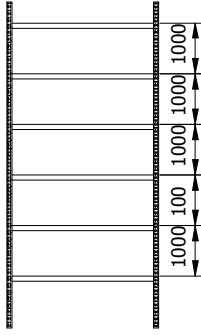
No	Adı
1	HR AYAK / HR MODULAR FRAME
2	HR TRAVERS / HR HEAVT DUTY BEAM
3	HR ARA TRAVERS / HR DEPTH CONNI
4	HR BAĞLANTI GERĞİ ÇİFT YONLU / HR CROSS CONNECTOR DOUBLE
5	HR HALAT TAKIMI / HR ROPE SET
6	HR TAVA RAF / HR TRAY SHELF
7	HR TAVA RAF DELİKLİ / HR PERFORATED TRAY SHELF
8	HR AHŞAP RAF / HR WOODEN SHELF



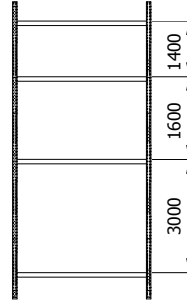
\* Standart renkler RAL 7035, 9010, 3018 ve 5010'dur. Bunu haricindeki renklerde %10 Fiyat farkı uygulanır  
 \* Standart colors RAL 7035, 9010, 3018 and 5010. Accept these colors %10 price distinction will be applicate.



TOPLAM YÜK (kg)	
	HR9025
	15286
	15286
	15286
	15286
	15286
	14160
	12696
	11469
	10426
	9531



- \* Travers açıklığı 1000 mm için aygın maksimum taşıma kapasitesi 15286 kg dir.
- \* Maximum load capacity for compartment height 1000 mm is 15286 kg.

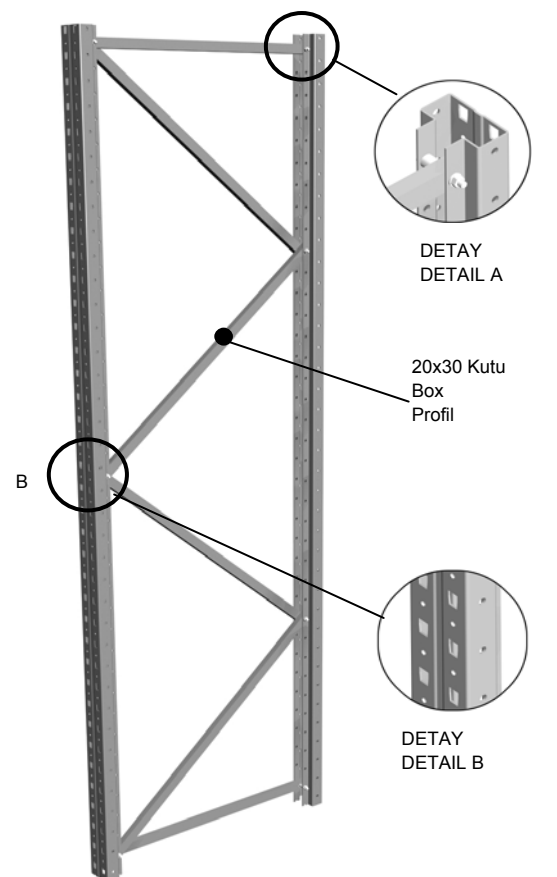
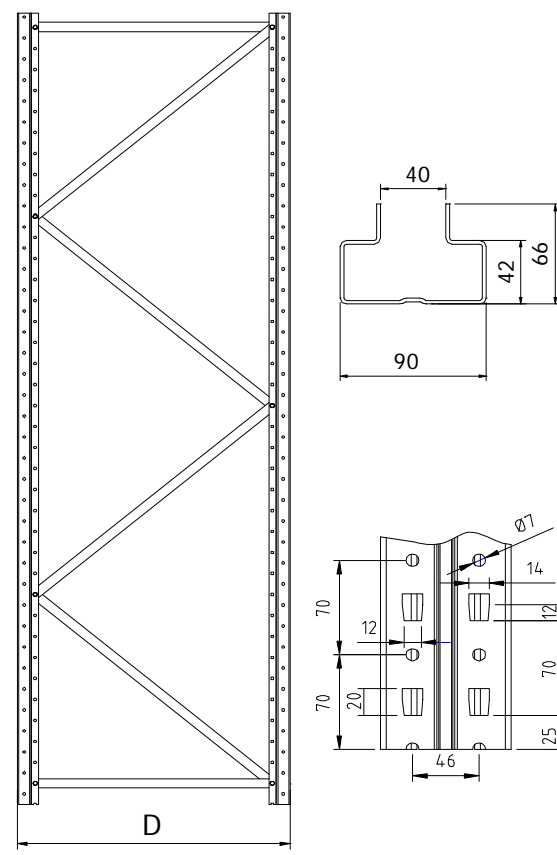

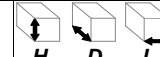



Her bölüme yüklenecek maksimum yükü iki travers maksimum açıklık belirler.

- \* Travers açıklığı 3000 mm için aygın maksimum taşıma kapasitesi 9531 kg dir.
- \* Maximum load capacity for compartment height 3000 mm is 9531 kg.

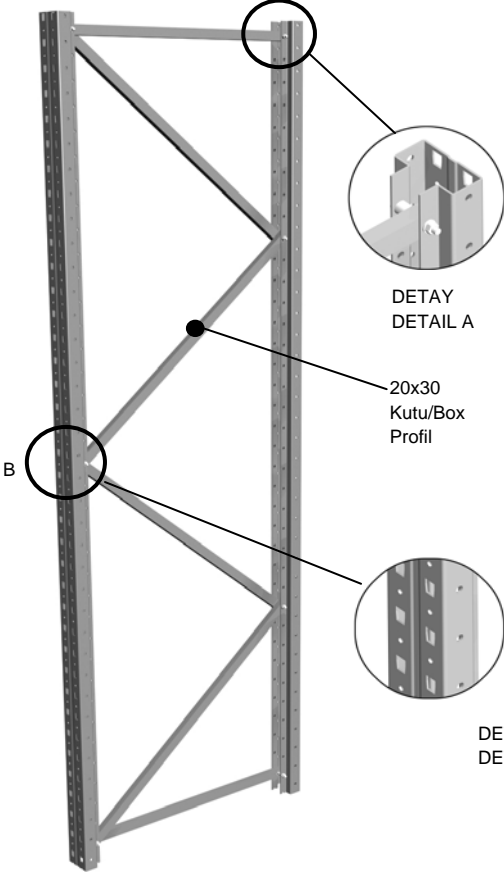

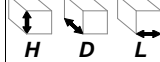
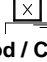
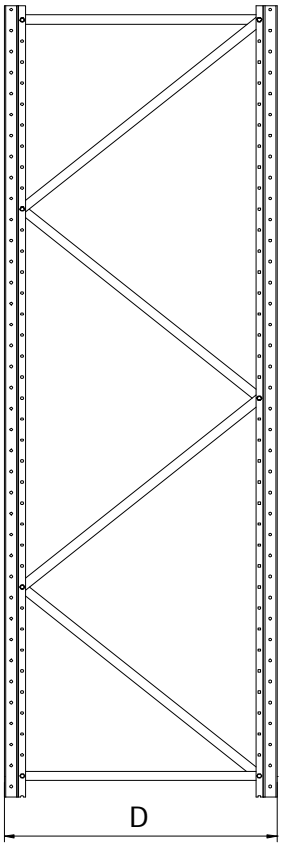
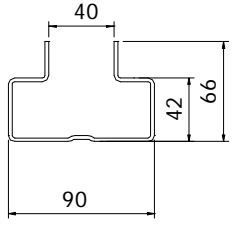
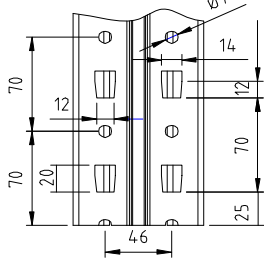
EPOKSİ POLYESTER TOZ BOYANIN KİMYASAL TEST SONUÇLARI			
Test	Birim	Standart	Mat
Tuz Testi	Saat	DIN 50021	500
Deterjan Dayanım Testi	GI %	ASTM D1193	0
Nem Dayanımı Testi	GI %	ASTM D1193	0
UV Testi (48 Saat)	Delta E		4
Deniz Suyu Drenci			Çok İyi
HCl %10 Dayanımı Testi			Çok İyi
Gazyağı Direnci			Çok İyi
Benzin Direnci			Çok İyi
Toluen Direnci			Sınırdadır
Etil Alkol %96 Direnci			Çok İyi
Aseton Direnci			Zayıf
Hidrojen Peroksit Direnci			Çok İyi
BOYANIN TEKNİK ÖZELLİKLERİ			
Test	Birim	Standart	Mat
Kalınlık	Mikron	BS 3900 E5	60
Parlaklık	Gloss	DIN 67530	0-15
Darbe Testi	Kg/cm	DIN 67530	80
Sararma Testi (200°C 120 Dk)	Delta E		2.5

Unit	Standart	Mat	
Saat	DIN 50021	500	
GI %	ASTM D1193	0	
GI %	ASTM D1193	0	
Delta E		4	
		Very good	
		Very good	
		Very good	
		Limit	
		Very good	
		Little	
		Very good	
Unit	Standart	Mat	
Mikron	BS 3900 E5	60	
Gloss	DIN 67530	0-15	
Kg/cm	DIN 67530	80	
Delta E		2.5	



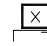
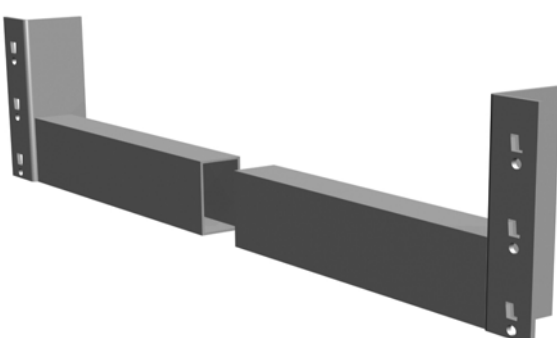
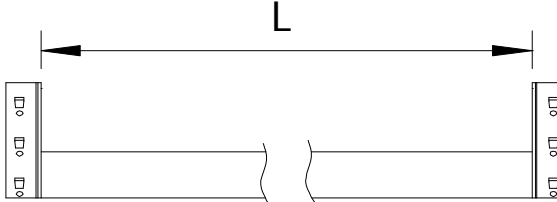
 DETAY DETAIL A  20x30 Kutu Box Profil  DETAY DETAIL B  	 Açıklama	 H D L	 Kod / Code
		2000 650	1254111020000651
		2500 650	1254111025000651
		3000 650	1254111030000651
		3500 650	1254111035000651
		4000 650	1254111040000651
		4500 650	1254111045000651
		5000 650	1254111050000651
		5500 650	1254111055000651
	* 7500mm'den sonrası iki parça halinde üretilir.	6000 650	1254111060000651
		6500 650	1254111065000651
		7000 650	1254111070000651
		7500 650	1254111075000651
	* Galveniz istenmesi halinde kodun son hanesi 1 yerine 4 olur.	8000 650	1254111080000651
		8500 650	1254111085000651
		9000 650	1254111090000651
		2000 850	1254111020000851
	*Produced as a two parts after 7500mm	2500 850	1254111025000851
		3000 850	1254111030000851
		3500 850	1254111035000851
	* Codes last digit will be 4 if it is galvenised	4000 850	1254111040000851
		4500 850	1254111045000851
		5000 850	1254111050000851
		5500 850	1254111055000851
		6000 850	1254111060000851
		6500 850	1254111065000851
		7000 850	1254111070000851
		7500 850	1254111075000851
		8000 850	1254111080000851
		8500 850	1254111085000851
		9000 850	1254111090000851
		2000 1050	1254111020001051
		2500 1050	1254111025001051
		3000 1050	1254111030001051
		3500 1050	1254111035001051
		4000 1050	1254111040001051
		4500 1050	1254111045001051
		5000 1050	1254111050001051
		5500 1050	1254111055001051
		6000 1050	1254111060001051
		6500 1050	1254111065001051
		7000 1050	1254111070001051
		7500 1050	1254111075001051
		8000 1050	1254111080001051
		8500 1050	1254111085001051
		9000 1050	1254111090001051
		2000 1150	1254111020001151
		2500 1150	1254111025001151
		3000 1150	1254111030001151
		3500 1150	1254111035001151
		4000 1150	1254111040001151
		4500 1150	1254111045001151
		5000 1150	1254111050001151
		5500 1150	1254111055001151
		6000 1150	1254111060001151
		6500 1150	1254111065001151
		7000 1150	1254111070001151
		7500 1150	1254111075001151
		8000 1150	1254111080001151
		8500 1150	1254111085001151
		9000 1150	1254111090001151

 HR AYAK ÜNİTE UYGULAMALI  
 HR MODULAR FRAME UNIT APPLICATED

U027 0001 00

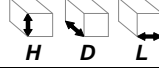
 DETAY DETAIL A 20x30 Kutu/Box Profil DETAY DETAIL B	 Açıklama	 H D L	 Kod / Code
		* 7500mm'den sonrası iki parça halinde üretilir. * Galveniz istenmesi halinde kodun son hanesi 1 yerine 4 olur.	2000 650 2500 650 3000 650 3500 650 4000 650 4500 650 5000 650 5500 650 6000 650 6500 650 7000 650 7500 650 8000 650 8500 650 9000 650
	*Produced as a two parts after 7500mm * Codes last digit will be 4 if it is galvenised	2000 850 2500 850 3000 850 3500 850 4000 850 4500 850 5000 850 5500 850 6000 850 6500 850 7000 850 7500 850 8000 850 8500 850 9000 850	1254121020000851 1254121025000851 1254121030000851 1254121035000851 1254121040000851 1254121045000851 1254121050000851 1254121055000851 1254121060000851 1254121065000851 1254121070000851 1254121075000851 1254121080000851 1254121085000851 1254121090000851
 D		2000 1050 2500 1050 3000 1050 3500 1050 4000 1050 4500 1050 5000 1050 5500 1050 6000 1050 6500 1050 7000 1050 7500 1050 8000 1050 8500 1050 9000 1050	1254121020001051 1254121025001051 1254121030001051 1254121035001051 1254121040001051 1254121045001051 1254121050001051 1254121055001051 1254121060001051 1254121065001051 1254121070001051 1254121075001051 1254121080001051 1254121085001051 1254121090001051
 40 42 66 90		2000 1150 2500 1150 3000 1150 3500 1150 4000 1150 4500 1150 5000 1150 5500 1150 6000 1150 6500 1150 7000 1150 7500 1150 8000 1150 8500 1150 9000 1150	1254121020001151 1254121025001151 1254121030001151 1254121035001151 1254121040001151 1254121045001151 1254121050001151 1254121055001151 1254121060001151 1254121065001151 1254121070001151 1254121075001151 1254121080001151 1254121085001151 1254121090001151
 70 12 20 46 70 25 87 14		2000 1150 2500 1150 3000 1150 3500 1150 4000 1150 4500 1150 5000 1150 5500 1150 6000 1150 6500 1150 7000 1150 7500 1150 8000 1150 8500 1150 9000 1150	1254121020001151 1254121025001151 1254121030001151 1254121035001151 1254121040001151 1254121045001151 1254121050001151 1254121055001151 1254121060001151 1254121065001151 1254121070001151 1254121075001151 1254121080001151 1254121085001151 1254121090001151
HR AYAK PALET UYGULAMALI HR MODULAR FRAME PALLET APPLICATED	U027 0001 00		

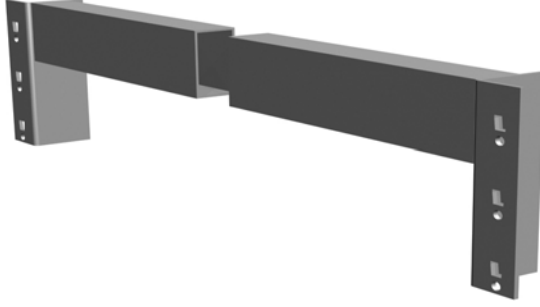


	 Açıklama				 Kod / Code	
		H	D	L		
		40	80	1000	115511010110011	
		40	80	1250	115511010112511	
		40	80	1330	115511010113311	
		40	80	2000	115511010120011	
		40	80	2500	115511010125011	
		40	80	2660	115511010126611	
		40	80	2700	115511040127011	
		40	100	1000	115511010210011	
		40	100	1250	115511010212511	
		40	100	1330	115511010213311	
		40	100	2000	115511010220011	
		40	100	2500	115511010225011	
		40	100	2660	115511010226611	
		40	100	2700	115511040227011	
		* Galveniz istenmesi halinde kodun son hanesi 1 yerine 4 olur.	40	120	1000	115511010310011
			40	120	1250	115511010312511
			40	120	1330	115511010313311
			40	120	2000	115511010320011
			40	120	2500	115511010325011
			40	120	2660	115511010326611
			40	120	2700	115511040327011
			40	120	3000	115511040330011
			40	120	3300	115511040333011
			50	100	1000	115511010410011
			50	100	1250	115511010412511
			50	100	1330	115511010413311
			50	100	2000	115511010420011
			50	100	2500	115511010425011
			50	100	2660	115511010426611
			50	100	2700	115511040427011
			50	100	3000	115511040430011
			50	100	3300	115511040433011
			60	120	1000	115511010510011
			60	120	1250	115511010512511
			60	120	1330	115511010513311
			60	120	2000	115511010520011
			60	120	2500	115511010525011
			60	120	2660	115511010526611
			60	120	2700	115511040527011
			60	120	3000	115511040530011
		60	120	3300	115511040533011	
						

HR TRAVERS A0

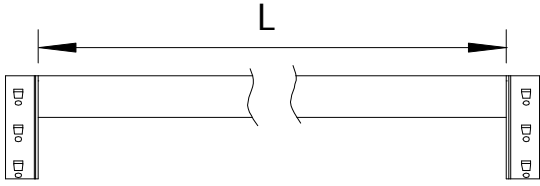
U027 0004 00


  
**Açıklama**

  
**H D L**

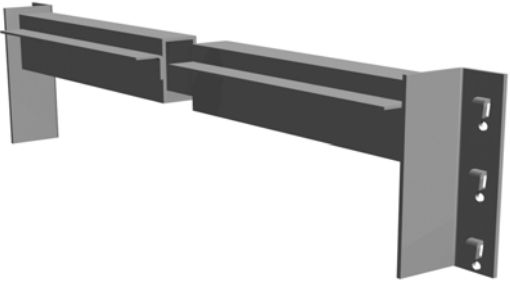
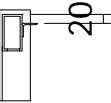
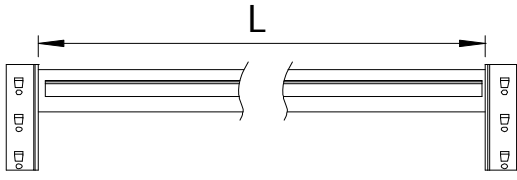





  
**Kod / Code**


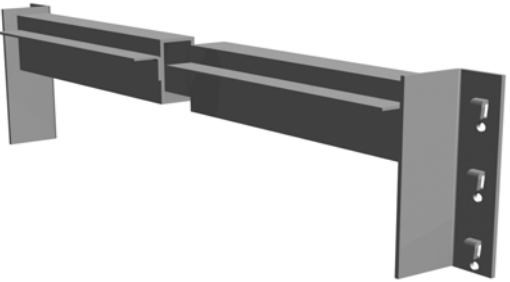
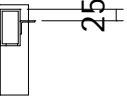
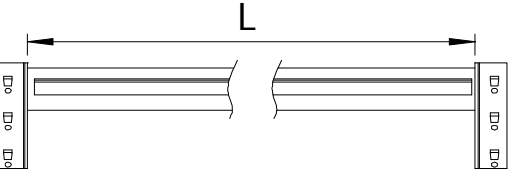

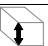


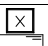
\* Galveniz istenmesi halinde kodun son hanesi 1 yerine 4 olur.

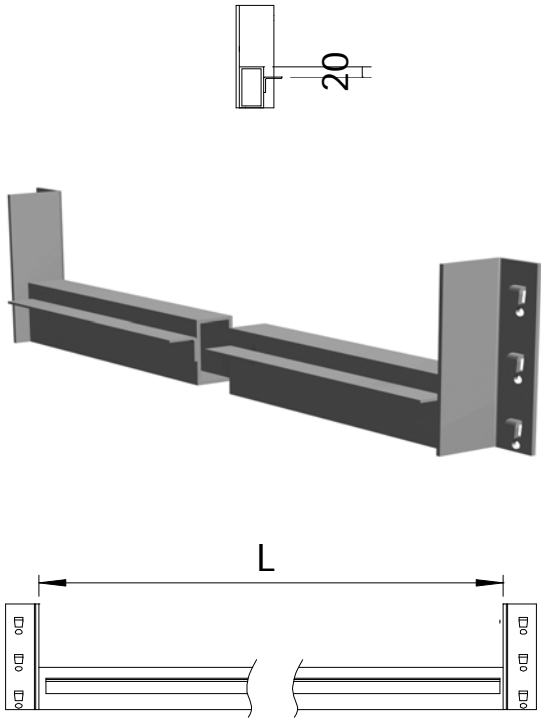




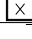
\* Codes last digit will be 4 if it is galvenised

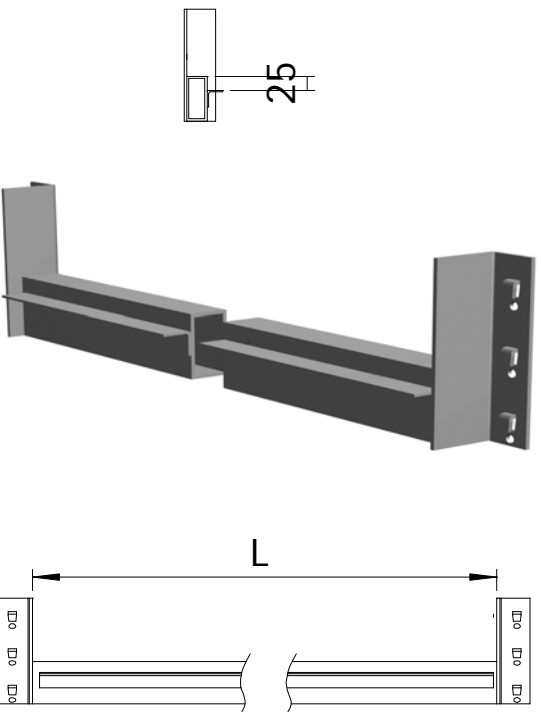




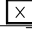


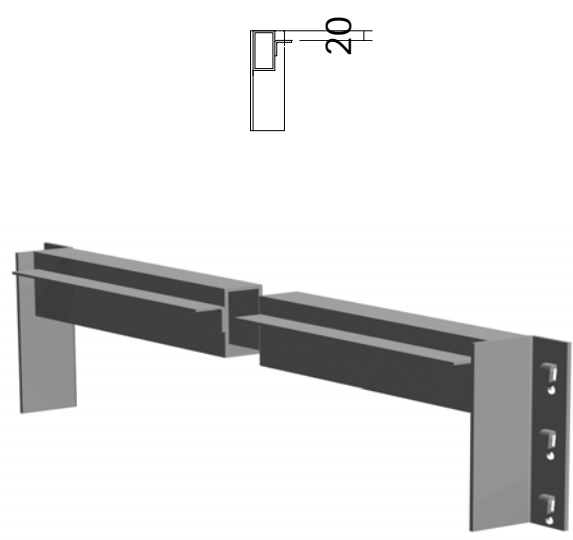


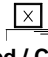
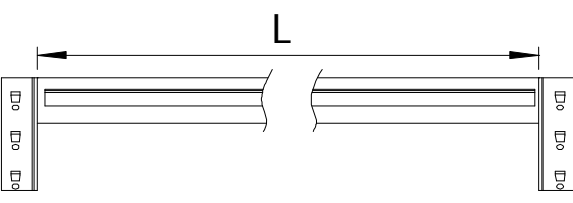
40	80	1000	115511020110011
40	80	1250	115511020112511
40	80	1330	115511020113311
40	80	2000	115511020120011
40	80	2500	115511020125011
40	80	2660	115511020126611
40	80	2700	115511050127011
40	100	1000	115511020210011
40	100	1250	115511020212511
40	100	1330	115511020213311
40	100	2000	115511020220011
40	100	2500	115511020225011
40	100	2660	115511020226611
40	100	2700	115511050227011
40	120	1000	115511020310011
40	120	1250	115511020312511
40	120	1330	115511020313311
40	120	2000	115511020320011
40	120	2500	115511020325011
40	120	2660	115511020326611
40	120	2700	115511050327011
40	120	3000	115511050330011
40	120	3300	11551105033011
50	100	1000	115511020410011
50	100	1250	115511020412511
50	100	1330	115511020413311
50	100	2000	115511020420011
50	100	2500	115511020425011
50	100	2660	115511020426611
50	100	2700	115511050427011
50	100	3000	115511050430011
50	100	3300	115511050433011
60	120	1000	115511020510011
60	120	1250	115511020512511
60	120	1330	115511020513311
60	120	2000	115511020520011
60	120	2500	115511020525011
60	120	2660	115511020526611
60	120	2700	115511050527011
60	120	3000	115511050530011
60	120	3300	115511050533011

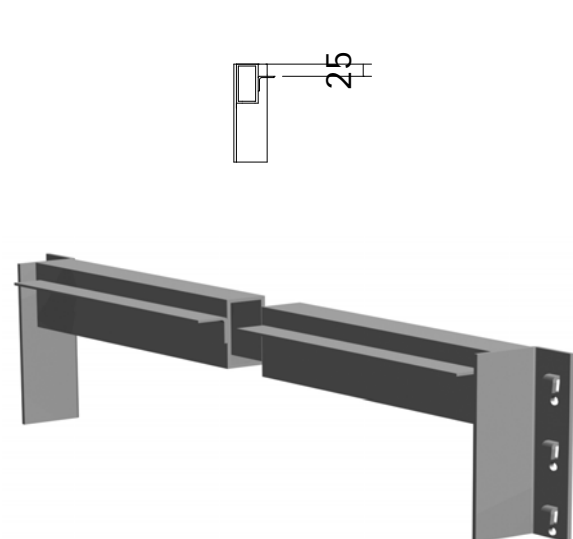


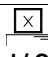
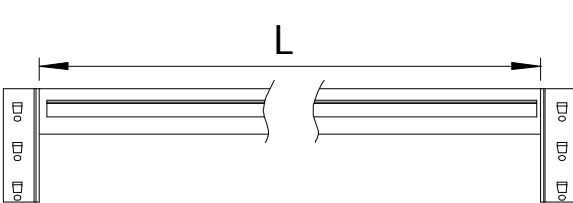
   HR TRAVERS G (20 MM AÇIKLIK) HR HEAVY DUTY BEAM G TYPE	 Açıklama	 H	 D	 L	 Kod / Code
	*20mm Açıklık * Galveniz istenmesi halinde kodun son hanesi 1 yerine 4 olur. * 20 mm space * Codes last digit will be 4 if it is galvenised	40 80 1000 40 80 1250 40 80 1330 40 80 2000 40 80 2500 40 80 2660 40 80 2700 40 100 1000 40 100 1250 40 100 1330 40 100 2000 40 100 2500 40 100 2660 40 100 2700 40 120 1000 40 120 1250 40 120 1330 40 120 2000 40 120 2500 40 120 2660 40 120 2700 40 120 3000 40 120 3300	115511030610011 115511030612511 115511030613311 115511030620011 115511030625011 115511030626611 115511060627011 115511030710011 115511030712511 115511030713311 115511030720011 115511030725011 115511030726611 115511060727011 115511030810011 115511030812511 115511030813311 115511030820011 115511030825011 115511030826611 115511060827011 115511060830011 115511060833011		

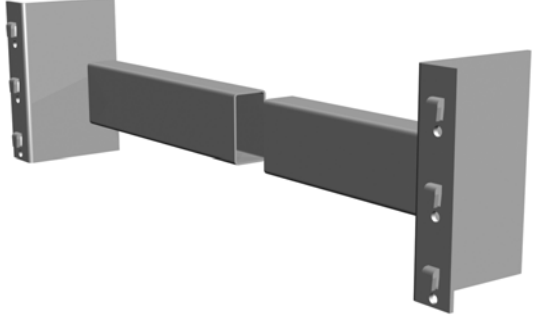
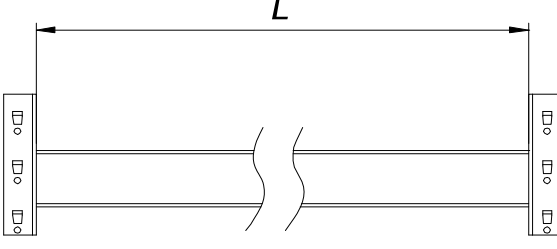
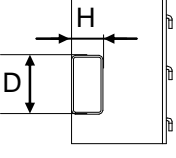

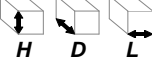

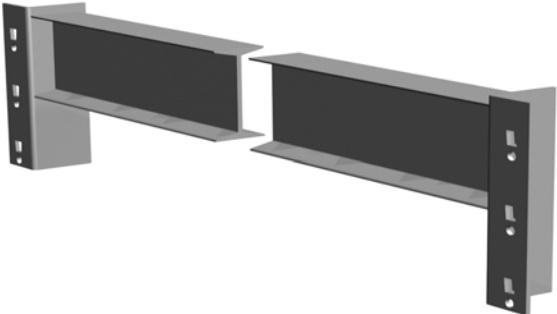
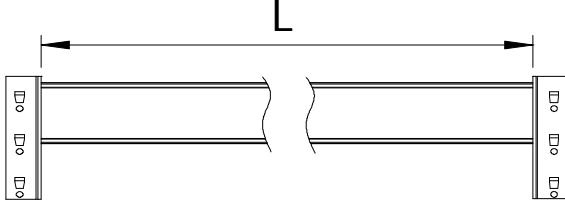
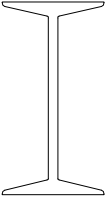

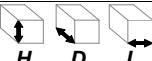
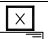
   HR TRAVERS G (25 MM AÇIKLIK) HR HEAVY DUTY BEAM G TYPE	 Açıklama	 H	 D	 L	 Kod / Code
	*20mm Açıklık * Galveniz istenmesi halinde kodun son hanesi 1 yerine 4 olur. * 20 mm space * Codes last digit will be 4 if it is galvenised	40 80 1000 40 80 1250 40 80 1330 40 80 2000 40 80 2500 40 80 2660 40 80 2700 40 100 1000 40 100 1250 40 100 1330 40 100 2000 40 100 2500 40 100 2660 40 100 2700 40 120 1000 40 120 1250 40 120 1330 40 120 2000 40 120 2500 40 120 2660 40 120 2700 40 120 3000 40 120 3300	115511033510011 115511033512511 115511033513311 115511033520011 115511033525011 115511033526611 115511063527011 115511033610011 115511033612511 115511033613311 115511033620011 115511033625011 115511033626611 115511063627011 115511033710011 115511033712511 115511033713311 115511033720011 115511033725011 115511033726611 115511063727011 115511063730011 115511063733011		

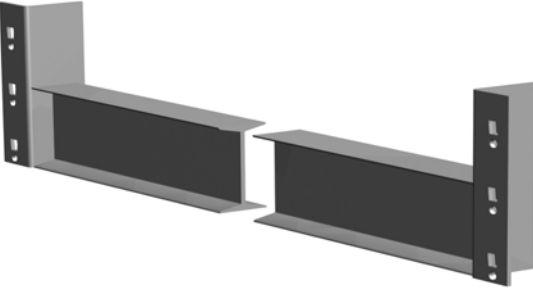



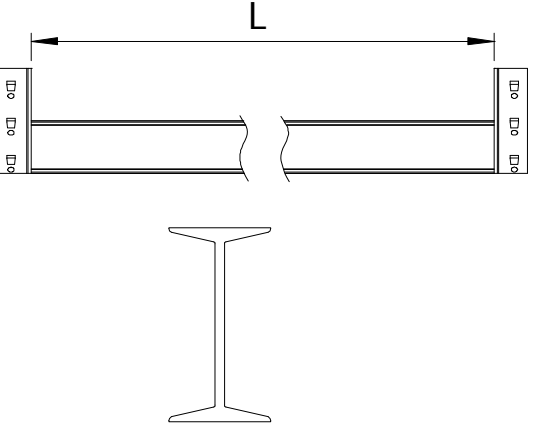
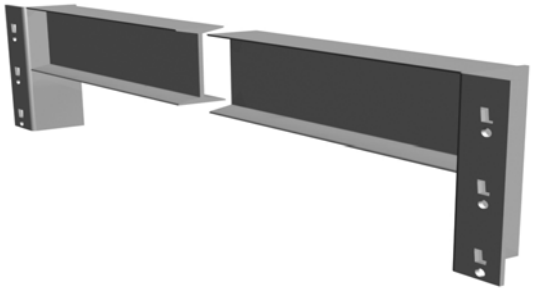
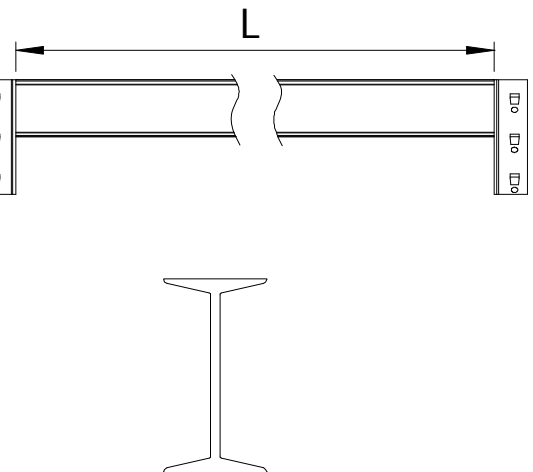
 HR TRAVERS G (20 MM AÇIKLIK) HR HEAVY DUTY BEAM G TYPE	 Açıklama	 H	 D	 L	 Kod / Code
	*20mm Açıklık * Galveniz istenmesi halinde kodun son hanesi 1 yerine 4 olur. * 20 mm space * Codes last digit will be 4 if it is galvenised	40 80 1000 40 80 1250 40 80 1330 40 80 2000 40 80 2500 40 80 2660 40 80 2700 40 100 1000 40 100 1250 40 100 1330 40 100 2000 40 100 2500 40 100 2660 40 100 2700 40 120 1000 40 120 1250 40 120 1330 40 120 2000 40 120 2500 40 120 2660 40 120 2700 40 120 3000	115511010610011 115511010612511 115511010613311 115511010620011 115511010625011 115511010626611 115511040627011 115511010710011 115511010712511 115511010713311 115511010720011 115511010725011 115511010726611 115511040727011 115511010810011 115511010812511 115511010813311 115511010820011 115511010825011 115511010826611 115511040827011 115511040830011		
U027 0005 00					

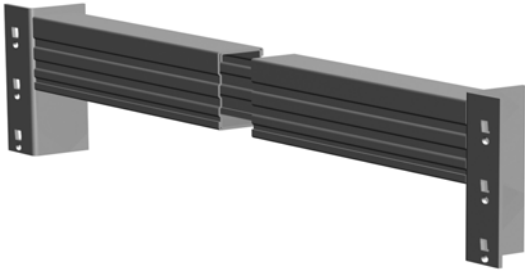


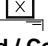
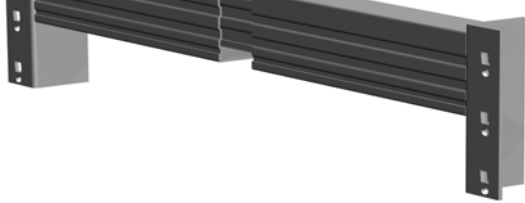
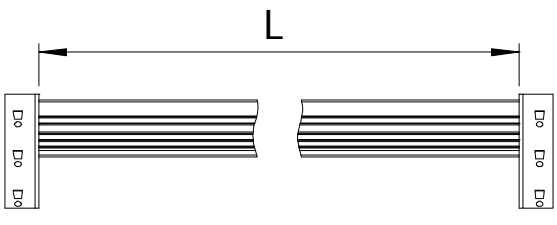
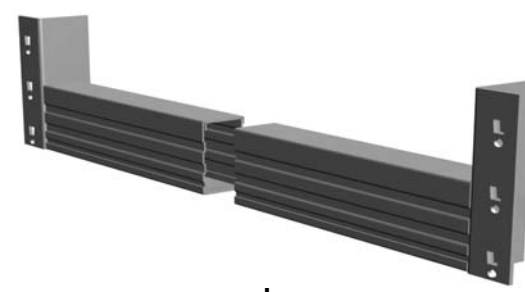
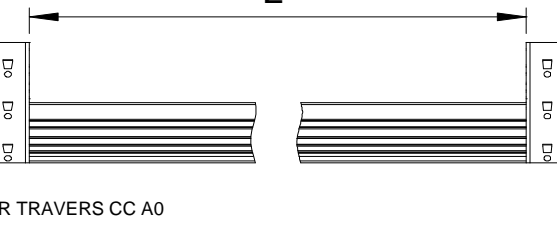
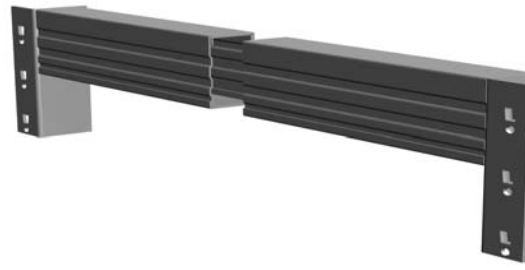
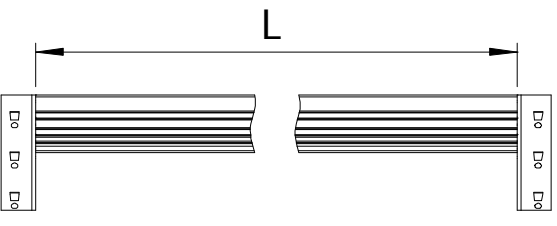
 HR TRAVERS G A0 (25 MM AÇIKLIK) HR HEAVY DUTY BEAM G TYPE A0	 Açıklama	 H	 D	 L	 Kod / Code
	*20mm Açıklık * Galveniz istenmesi halinde kodun son hanesi 1 yerine 4 olur. * 20 mm space * Codes last digit will be 4 if it is galvenised	40 80 1000 40 80 1250 40 80 1330 40 80 2000 40 80 2500 40 80 2660 40 80 2700 40 100 1000 40 100 1250 40 100 1330 40 100 2000 40 100 2500 40 100 2660 40 100 2700 40 120 1000 40 120 1250 40 120 1330 40 120 2000 40 120 2500 40 120 2660 40 120 2700 40 120 3000	115511013510011 115511013512511 115511013513311 115511013520011 115511013525011 115511013526611 115511043527011 115511013610011 115511013612511 115511013613311 115511013620011 115511013625011 115511013626611 115511043627011 115511013710011 115511013712511 115511013713311 115511013720011 115511013725011 115511013726611 115511043727011 115511043730011		
U027 0005 00					

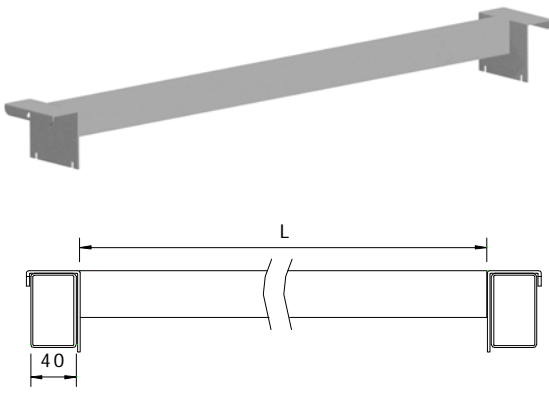
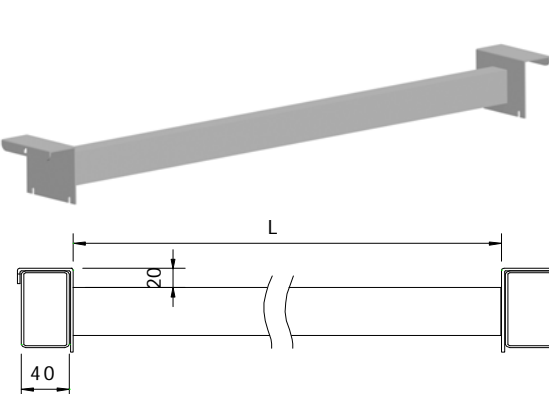
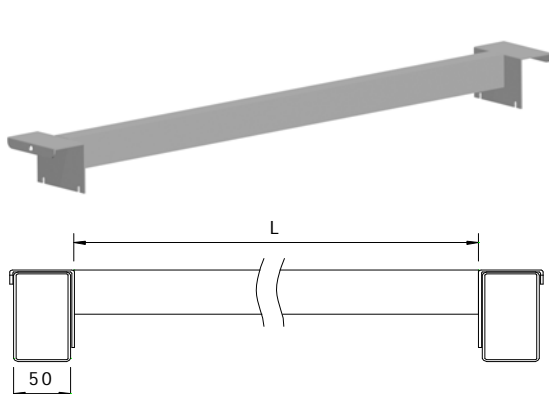
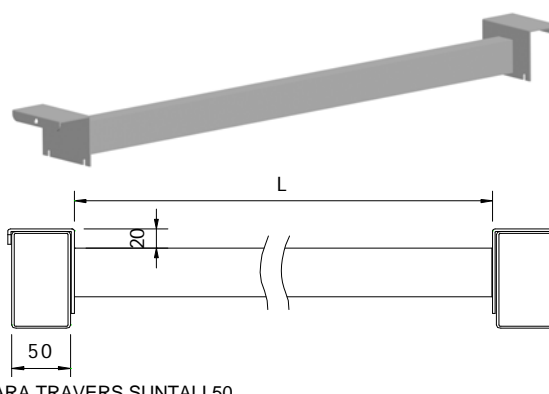
 HR TRAVERS G U0 (20 MM AÇIKLIK) HR HEAVY DUTY BEAM G TYPE U0	 Açıklama	 H D L	 Kod / Code
	 U027 0005 00	*20mm Açıklık * Galveniz istenmesi halinde kodun son hanesi 1 yerine 4 olur. * 20 mm space * Codes last digit will be 4 if it is galvenised	40 80 1000 40 80 1250 40 80 1330 40 80 2000 40 80 2500 40 80 2660 40 80 2700 40 100 1000 40 100 1250 40 100 1330 40 100 2000 40 100 2500 40 100 2660 40 100 2700 40 120 1000 40 120 1250 40 120 1330 40 120 2000 40 120 2500 40 120 2660 40 120 2700 40 120 3000 40 120 3300


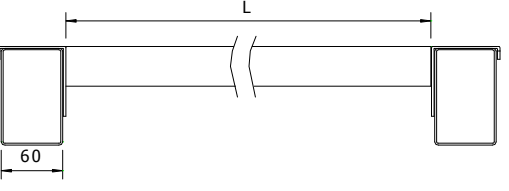
 HR TRAVERS G U0 (25 MM AÇIKLIK) HR HEAVY DUTY BEAM G TYPE U0	 Açıklama	 H D L	 Kod / Code
	 U027 0005 00	*20mm Açıklık * Galveniz istenmesi halinde kodun son hanesi 1 yerine 4 olur. * 20 mm space * Codes last digit will be 4 if it is galvenised	40 80 1000 40 80 1250 40 80 1330 40 80 2000 40 80 2500 40 80 2660 40 80 2700 40 100 1000 40 100 1250 40 100 1330 40 100 2000 40 100 2500 40 100 2660 40 100 2700 40 120 1000 40 120 1250 40 120 1330 40 120 2000 40 120 2500 40 120 2660 40 120 2700 40 120 3000 40 120 3300


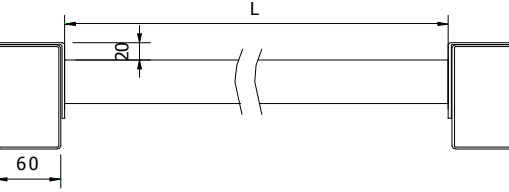
   HR STOPER TRAVERS HR STOPPER BEAM	 <b>Açıklama</b>	 <b>H</b> <b>D</b> <b>L</b>	 <b>Kod / Code</b>
   HR TRAVERS NPI HR HEAVY DUTY BEAM NPI TYPE	 <b>Açıklama</b>	 <b>H</b> <b>D</b> <b>L</b>	 <b>Kod / Code</b>
* Galveniz istenmesi halinde kodun son hanesi 1 yerine 4 olur.  * Codes last digit will be 4 if it is galvenised	40 80 1000 40 80 1250 40 80 1330 40 80 2000 40 80 2500 40 80 2660 40 80 2700 40 80 3000 40 80 3300  40 100 1000 40 100 1250 40 100 1330 40 100 2000 40 100 2500 40 100 2660 40 100 2700 40 100 3000 40 100 3300	115512220110011 115512220112511 115512220113311 115512220120011 115512220125011 115512220126611 115512250127011 115512250130011 115512250133011  115512220210011 115512220212511 115512220213311 115512220220011 115512220225011 115512220226611 115512250227011 115512250230011 115512250233011	
U027 0007 00	U027 0004 00	80 1000 80 1250 80 1330 80 2000 80 2500 80 2660 80 2700  100 1000 100 1250 100 1330 100 2000 100 2500 100 2660 100 2700  120 1000 120 1250 120 1330 120 2000 120 2500 120 2660 120 2700 120 3000	115511031910011 115511031912511 115511031920011 115511031920011 115511031925011 115511031926611 115511061927011  115511032010011 115511032012511 115511032013311 115511032020011 115511032025011 115511032026611 115511062027011  115511032110011 115511032112511 115511032113311 115511032120011 115511032125011 115511032126611 115511062127011 115511062130011

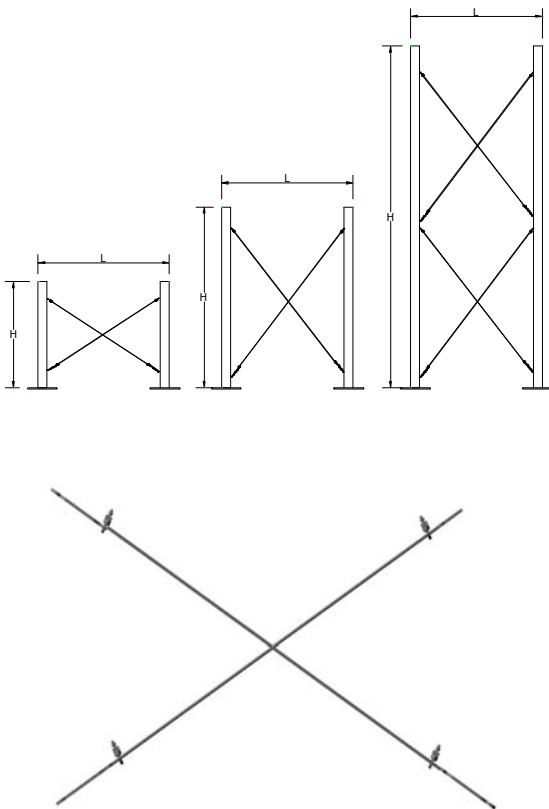
	 Açıklama / Descripti	 H D L	 Kod / Code																																																																		
 <p data-bbox="145 974 422 1025">                     HR TRAVERS NPI A0                      HR HEAVY DUTY BEAM NPI A0                 </p>	<p data-bbox="746 492 927 593">                     * Galveniz istenme si halinde kodun son hanesi 1 yerine 4 olur.                 </p> <p data-bbox="746 616 927 694">                     * Codes last digit will be 4 if it is galvenised                 </p> <p data-bbox="746 974 927 1025">                     U027 0004 00                 </p>	<table border="1"> <tr><td>80</td><td>1000</td><td>115511011910011</td></tr> <tr><td>80</td><td>1250</td><td>115511011912511</td></tr> <tr><td>80</td><td>1330</td><td>115511011913311</td></tr> <tr><td>80</td><td>2000</td><td>115511011920011</td></tr> <tr><td>80</td><td>2500</td><td>115511011925011</td></tr> <tr><td>80</td><td>2660</td><td>115511011926611</td></tr> <tr><td>80</td><td>2700</td><td>115511041927011</td></tr> <tr><td>100</td><td>1000</td><td>115511012010011</td></tr> <tr><td>100</td><td>1250</td><td>115511012012511</td></tr> <tr><td>100</td><td>1330</td><td>115511012013311</td></tr> <tr><td>100</td><td>2000</td><td>115511012020011</td></tr> <tr><td>100</td><td>2500</td><td>115511012025011</td></tr> <tr><td>100</td><td>2660</td><td>115511012026611</td></tr> <tr><td>100</td><td>2700</td><td>115511042027011</td></tr> <tr><td>120</td><td>1000</td><td>115511012110011</td></tr> <tr><td>120</td><td>1250</td><td>115511012112511</td></tr> <tr><td>120</td><td>1330</td><td>115511012113311</td></tr> <tr><td>120</td><td>2000</td><td>115511012120011</td></tr> <tr><td>120</td><td>2500</td><td>115511012125011</td></tr> <tr><td>120</td><td>2660</td><td>115511012126611</td></tr> <tr><td>120</td><td>2700</td><td>115511042127011</td></tr> <tr><td>120</td><td>3000</td><td>115511042130011</td></tr> </table>	80	1000	115511011910011	80	1250	115511011912511	80	1330	115511011913311	80	2000	115511011920011	80	2500	115511011925011	80	2660	115511011926611	80	2700	115511041927011	100	1000	115511012010011	100	1250	115511012012511	100	1330	115511012013311	100	2000	115511012020011	100	2500	115511012025011	100	2660	115511012026611	100	2700	115511042027011	120	1000	115511012110011	120	1250	115511012112511	120	1330	115511012113311	120	2000	115511012120011	120	2500	115511012125011	120	2660	115511012126611	120	2700	115511042127011	120	3000	115511042130011	
80	1000	115511011910011																																																																			
80	1250	115511011912511																																																																			
80	1330	115511011913311																																																																			
80	2000	115511011920011																																																																			
80	2500	115511011925011																																																																			
80	2660	115511011926611																																																																			
80	2700	115511041927011																																																																			
100	1000	115511012010011																																																																			
100	1250	115511012012511																																																																			
100	1330	115511012013311																																																																			
100	2000	115511012020011																																																																			
100	2500	115511012025011																																																																			
100	2660	115511012026611																																																																			
100	2700	115511042027011																																																																			
120	1000	115511012110011																																																																			
120	1250	115511012112511																																																																			
120	1330	115511012113311																																																																			
120	2000	115511012120011																																																																			
120	2500	115511012125011																																																																			
120	2660	115511012126611																																																																			
120	2700	115511042127011																																																																			
120	3000	115511042130011																																																																			
  <p data-bbox="145 2049 422 2094">                     HR TRAVERS NPI U0                      HR HEAVY DUTY BEAM NPI A0                 </p>	<p data-bbox="746 1332 927 1433">                     * Galveniz istenme si halinde kodun son hanesi 1 yerine 4 olur.                 </p> <p data-bbox="746 1456 927 1534">                     * Codes last digit will be 4 if it is galvenised                 </p> <p data-bbox="746 2049 927 2094">                     U027 0004 00                 </p>	<table border="1"> <tr><td>80</td><td>1000</td><td>115511021910011</td></tr> <tr><td>80</td><td>1250</td><td>115511021912511</td></tr> <tr><td>80</td><td>1330</td><td>115511021913311</td></tr> <tr><td>80</td><td>2000</td><td>115511021920011</td></tr> <tr><td>80</td><td>2500</td><td>115511021925011</td></tr> <tr><td>80</td><td>2660</td><td>115511021926611</td></tr> <tr><td>80</td><td>2700</td><td>115511051927011</td></tr> <tr><td>100</td><td>1000</td><td>115511022010011</td></tr> <tr><td>100</td><td>1250</td><td>115511022012511</td></tr> <tr><td>100</td><td>1330</td><td>115511022013311</td></tr> <tr><td>100</td><td>2000</td><td>115511022020011</td></tr> <tr><td>100</td><td>2500</td><td>115511022025011</td></tr> <tr><td>100</td><td>2660</td><td>115511022026611</td></tr> <tr><td>100</td><td>2700</td><td>115511052027011</td></tr> <tr><td>120</td><td>1000</td><td>115511022110011</td></tr> <tr><td>120</td><td>1250</td><td>115511022112511</td></tr> <tr><td>120</td><td>1330</td><td>115511022113311</td></tr> <tr><td>120</td><td>2000</td><td>115511022120011</td></tr> <tr><td>120</td><td>2500</td><td>115511022125011</td></tr> <tr><td>120</td><td>2660</td><td>115511022126611</td></tr> <tr><td>120</td><td>2700</td><td>115511052127011</td></tr> <tr><td>120</td><td>3000</td><td>115511052130011</td></tr> </table>	80	1000	115511021910011	80	1250	115511021912511	80	1330	115511021913311	80	2000	115511021920011	80	2500	115511021925011	80	2660	115511021926611	80	2700	115511051927011	100	1000	115511022010011	100	1250	115511022012511	100	1330	115511022013311	100	2000	115511022020011	100	2500	115511022025011	100	2660	115511022026611	100	2700	115511052027011	120	1000	115511022110011	120	1250	115511022112511	120	1330	115511022113311	120	2000	115511022120011	120	2500	115511022125011	120	2660	115511022126611	120	2700	115511052127011	120	3000	115511052130011	
80	1000	115511021910011																																																																			
80	1250	115511021912511																																																																			
80	1330	115511021913311																																																																			
80	2000	115511021920011																																																																			
80	2500	115511021925011																																																																			
80	2660	115511021926611																																																																			
80	2700	115511051927011																																																																			
100	1000	115511022010011																																																																			
100	1250	115511022012511																																																																			
100	1330	115511022013311																																																																			
100	2000	115511022020011																																																																			
100	2500	115511022025011																																																																			
100	2660	115511022026611																																																																			
100	2700	115511052027011																																																																			
120	1000	115511022110011																																																																			
120	1250	115511022112511																																																																			
120	1330	115511022113311																																																																			
120	2000	115511022120011																																																																			
120	2500	115511022125011																																																																			
120	2660	115511022126611																																																																			
120	2700	115511052127011																																																																			
120	3000	115511052130011																																																																			

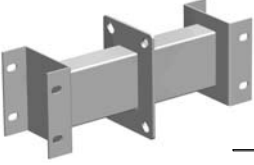
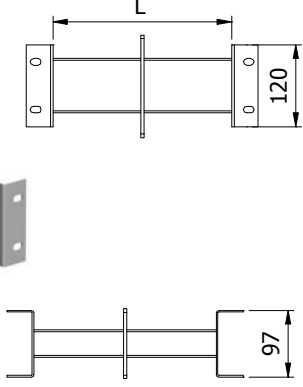


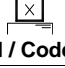
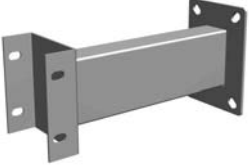
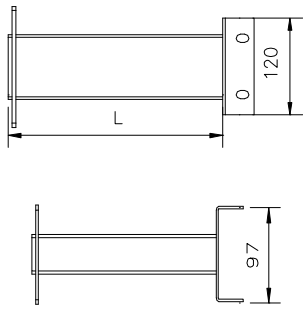
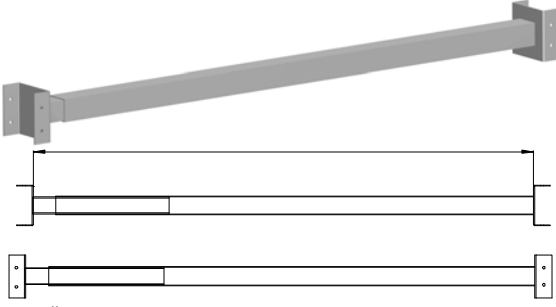
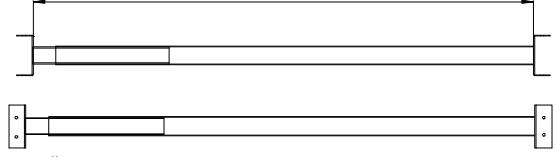

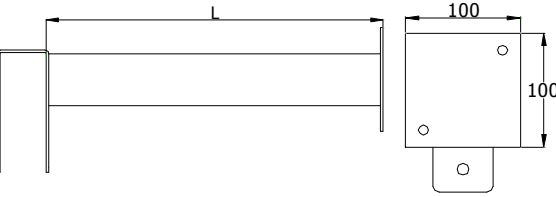
	 Açıklama	 H D L	 Kod / Code
  HR TRAVERS CC HR HEAVY DUTY BEAM CC TYPE	<p>* Galveniz istenmesi halinde kodun son hanesi 1 yerine 4 olur.</p> <p>* Codes last digit will be 4 if it is galvenised</p> U027 0004 00	50 150 2000 50 150 2500 50 150 2660 50 150 2700 50 150 3000 50 150 3300	115511031420011 115511031425011 115511031426611 115511061427011 115511061430011 115511061433011
  HR TRAVERS CC A0 HR HEAVY DUTY BEAM CC TYPE A0	<p><i>Açıklama / Descript</i></p> <p>* Galveniz istenmesi halinde kodun son hanesi 1 yerine 4 olur.</p> <p>* Codes last digit will be 4 if it is galvenised</p> U027 0004 00	50 150 2000 50 150 2500 50 150 2660 50 150 2700 50 150 3000 50 150 3300	115511011420011 115511011425011 115511011426611 115511041427011 115511041430011 115511041433011
  HR TRAVERS CC U0 HR HEAVY DUTY BEAM CC TYPE U0	<p><i>Açıklama / Descript</i></p> <p>* Galveniz istenmesi halinde kodun son hanesi 1 yerine 4 olur.</p> <p>* Codes last digit will be 4 if it is galvenised</p> U027 0004 00	50 150 2000 50 150 2500 50 150 2660 50 150 2700 50 150 3000 50 150 3300	115511021420011 115511021425011 115511021426611 115511051427011 115511051430011 115511051433011



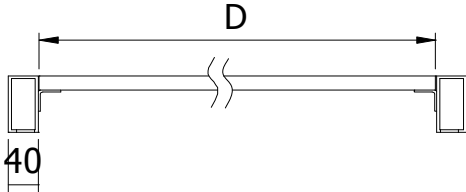





 <p>ARA TRAVERS SUNTASIZ 40 DEPTH CONNECTOR WITHOUT CHIPBOARD 40</p>	<p><b>Açıklama</b></p> <p>*Suntasız *30x50 Profil * Galveniz istenmesi halinde kodun son hanesi 1 yerine 4 olur. *Withoutchipboard * Powder coating * 30x50 Profile</p> <p>U027 0011 00</p>	<p><b>H</b> <b>D</b> <b>L</b></p> <p>30 50 650 30 50 850 30 50 1050 30 50 1150</p>	<p><b>Kod / Code</b></p> <p>115210502010651 115210502010851 115210502011051 115210502011151</p>
 <p>ARA TRAVERS SUNTALI 40 DEPTH CONNECTOR WITH CHIPBOARD 40</p>	<p><b>Açıklama</b></p> <p>*Suntalı *30x50 Profil * Galveniz istenmesi halinde kodun son hanesi 1 yerine 4 olur. *Withoutchipboard * Powder coating * 30x50 Profile</p> <p>U027 0011 00</p>	<p><b>H</b> <b>D</b> <b>L</b></p> <p>30 50 650 30 50 850 30 50 1050 30 50 1150</p>	<p><b>Kod / Code</b></p> <p>115210501010651 115210501010851 115210501011051 115210501011151</p>
 <p>ARA TRAVERS SUNTASIZ 50 DEPTH CONNECTOR WITHOUT CHIPBOARD 50</p>	<p><b>Açıklama</b></p> <p>*Suntasız *30x50 Profil * Galveniz istenmesi halinde kodun son hanesi 1 yerine 4 olur. *Withoutchipboard * Powder coating * 30x50 Profile</p> <p>U027 0011 00</p>	<p><b>H</b> <b>D</b> <b>L</b></p> <p>30 50 650 30 50 850 30 50 1050 30 50 1150</p>	<p><b>Kod / Code</b></p> <p>115210602010651 115210602010851 115210602011051 115210602011151</p>
 <p>ARA TRAVERS SUNTALI 50 DEPTH CONNECTOR WITH CHIPBOARD 50</p>	<p><b>Açıklama</b></p> <p>*Suntalı *30x50 Profil * Galveniz istenmesi halinde kodun son hanesi 1 yerine 4 olur. *Withoutchipboard * Powder coating * 30x50 Profile</p> <p>U027 0011 00</p>	<p><b>H</b> <b>D</b> <b>L</b></p> <p>30 50 650 30 50 850 30 50 1050 30 50 1150</p>	<p><b>Kod / Code</b></p> <p>115210601010651 115210601010851 115210601011051 115210601011151</p>

 ARA TRAVERS SUNTASIZ 60 DEPTH CONNECTOR WITHOUT CHIPBOARD 60	Açıklama	H	D	L	Kod / Code
	 *Suntasız *30x50 Profil * Galveniz istenmesi halinde kodun son hanesi 1 yerine 4 olur. *Withoutchipboard * Powder coating * 30x50 Profile U027 0011 00		30	50	65
		30	50	85	115211102010851
		30	50	105	115211102011051
		30	50	115	115211102011151



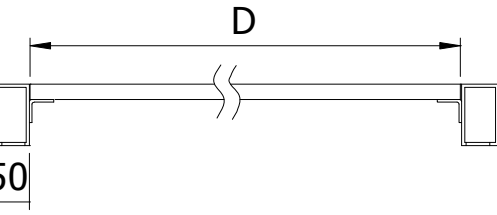





 ARA TRAVERS SUNTALI 60 DEPTH CONNECTOR WITH CHIPBOARD 60	Açıklama	H	D	L	Kod / Code
	 *Suntalı *30x50 Profil * Galveniz istenmesi halinde kodun son hanesi 1 yerine 4 olur. *Withoutchipboard * Powder coating * 30x50 Profile U027 0011 00		30	50	65
		30	50	85	115211101010851
		30	50	105	115211101011051
		30	50	115	115211101011151







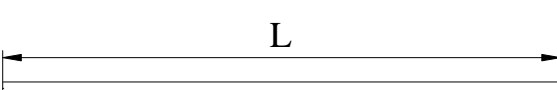
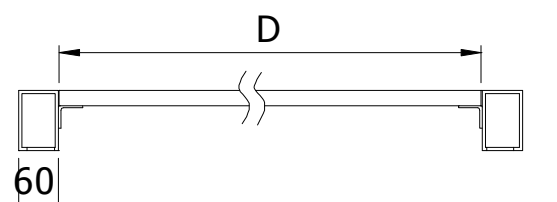
 HR HALAT TAKIMI HR ROPE SET	Açıklama	H	D	L	Kod / Code
	* Halat, gerdirme ve kurt ağını içerir. *Highrack ara bağlantı dahil değildir. *Rope includes cross connector and dovetail *HR depth connector not included 0-3 Metre Arası için 1 Adet 2000mm Yüksekliğinde Kullanılır. 3-5.5 Metre Arası için 1 Adet 2700mm Yüksekliğinde Kullanılır 5.5 Metre ve Yukarısı için 2 Adet 2700mm Yüksekliğinde kullanılır. Used 1 pcs for 0-3 Meter for 2000 mm height Used 1 pcs for 3-5,5 Meter for 2700 mm height Used 2 pcs for 5,5 Meterand up for 2700 mm height Çapraz Atkılar High-Rack uzunluklarına göre yandaki sıklıkta kullanılır. *2-5 sıralı ünite uygulamalarında başta ve sonda olmak üzere iki adet *6-10 sıralı sıralı ünite uygulamalarında başta,ortada,sonda olmak üzere üç adet *11 ve daha çok sıralı ünite uygulamalarında en az her beş ayakta bir çapraz atkı kullanılmaktadır. Cross Connectors used according to HR lenght.Frequency will be like in the picture. *In 2-5 unit applications will be used 2 pcs 1 in the beginnig 1 in the end. *In 6-10 unit applications will be used 3 pcs 1 in the beginnig 1 in the end 1 in the middle *In 11 and up unit applications will be used 1 pcs of cross connector in every 5 modular frame U021 0005 00	2000	2700	1156904082000002700	
		2700	2700	1156904082700002700	







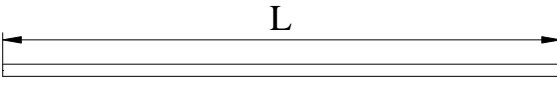
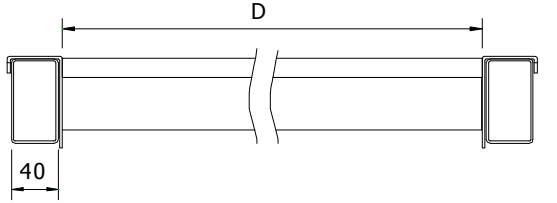
  <p>HR BAĞLANTI GERGİ ÇİFT YÖNLÜ HR CONNECTOR DOUBLE SIDED</p>	 <p><b>Açıklama</b></p> <p>* Civatalar Dahil * Galveniz istenme si halinde kodun son hanesi 1 yerine 4 olur. * Bolts included * Codes last digit will be 4 if it is galvenized</p> <p>U021 0001 00</p>	 <p><b>H D L</b></p> <p>100 150 200 250 300 350 400</p>	 <p><b>Kod / Code</b></p> <p>1156101020000000101 1156101020000000151 1156101020000000201 1156101020000000251 1156101020000000301 1156101020000000351 1156101020000000401</p>
  <p>HR BAĞLANTI GERGİ TEK YÖNLÜ HR CONNECTOR DOUBLE SIDED</p>	<p><b>Açıklama</b></p> <p>* Civatalar Dahil * Galveniz istenme si halinde kodun son hanesi 1 yerine 4 olur. * Bolts included * Codes last digit will be 4 if it is galvenized</p> <p>U021 0002 00</p>	<p><b>H D L</b></p> <p>150 250 350</p>	<p><b>Kod / Code</b></p> <p>1156140150000000151 1156140150000000251 1156140150000000351</p>
  <p>HR BAĞLANTI AA HR CONNECTOR AA</p>	<p><b>Açıklama</b></p> <p>* Galveniz/Galvenized * Galveniz istenme si halinde kodun son hanesi 1 yerine 4 olur. * Codes last digit will be 4 if it is galvenized</p> <p>U021 0003 00</p>	<p><b>H D L</b></p> <p>1500 2000 2500 3000 3500 4000 4500 5000</p>	<p><b>Kod / Code</b></p> <p>1156115100000001501 1156115100000002001 1156115100000002501 1156115100000003001 1156115100000003501 1156115100000004001 1156115100000004501 1156115100000005001</p>
  <p>HR BAĞLANTI TD HR CONNECTOR AA</p>	<p><b>Açıklama</b></p> <p>* 40mm için / For 40 mm * Tozboya / Powdercoated * Galveniz istenmesi halin de kodun son hanesi 1 yerine 4 olur. **</p> <p>* 50mm için / For 50 mm * Tozboya / Powdercoated * Galveniz istenmesi halin de kodun son hanesi 1 yerine 4 olur. **</p> <p>* 60mm için / For 60 mm * Tozboya / Powdercoated * Galveniz istenmesi halin de kodun son hanesi 1 yerine 4 olur. **</p> <p>U021 0004 00</p>	<p><b>H D L</b></p> <p>150 250 350</p> <p>150 250 350</p> <p>150 250 350</p>	<p><b>Kod / Code</b></p> <p>1156177260000000151 1156177260000000251 1156177260000000351</p> <p>1156178260000000151 1156178260000000251 1156178260000000351</p> <p>1156179260000000151 1156179260000000251 1156179260000000351</p>


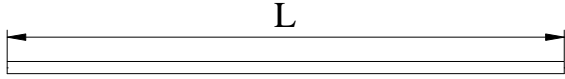
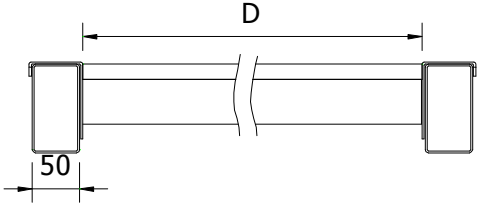





   HR RAF AHŞAP G TRAVERS 40 HR SHELF WOODEN G TYPE BEAM 40	 <b>Açıklama / Description</b>	   <b>H D L</b>	 <b>Kod / Code</b>
*Suntalam	18	650 1000	1153520210006501000
* 40mm'lik Travers için	18	650 1250	1153520210006501250
	18	650 1330	1153520210006501330
*Chipboard	18	650 2000	1153520210006502000
*For 40mm beam	18	650 2500	1153520210006502500
	18	650 2700	1153520210006502700
	18	650 3000	1153520210006503000
	18	650 3300	1153520210006503300
	18	850 1000	1153520210008501000
	18	850 1250	1153520210008501250
	18	850 1330	1153520210008501330
	18	850 2000	1153520210008502000
	18	850 2500	1153520210008502500
	18	850 2700	1153520210008502700
	18	850 3000	1153520210008503000
	18	850 3300	1153520210008503300
	18	1050 1000	1153520210010501000
	18	1050 1250	1153520210010501250
	18	1050 1330	1153520210010501330
	18	1050 2000	1153520210010502000
	18	1050 2500	1153520210010502500
	18	1050 2700	1153520210010502700
	18	1050 3000	1153520210010503000
	18	1050 3300	1153520210010503300
	18	1150 1000	1153520210011501000
	18	1150 1250	1153520210011501250
	18	1150 1330	1153520210011501330
	18	1150 2000	1153520210011502000
	18	1150 2500	1153520210011502500
	18	1150 2700	1153520210011502700
	18	1150 3000	1153520210011503000
	18	1150 3300	1153520210011503300
U028 0005 00			



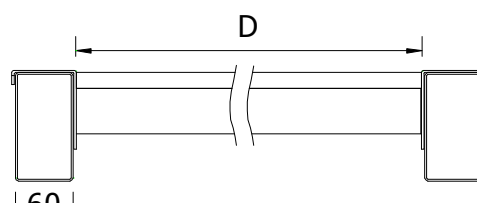




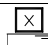
  





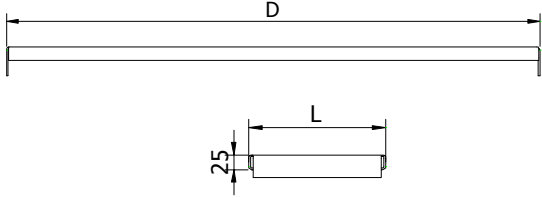



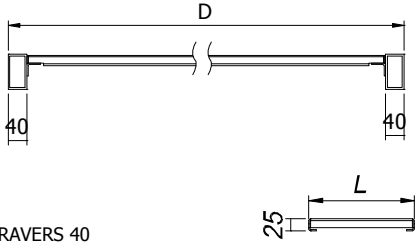
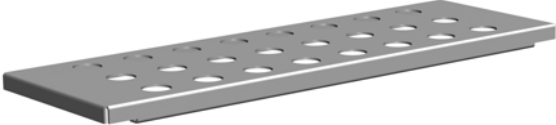
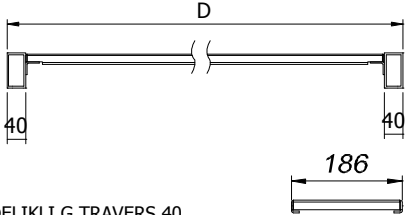
   HR RAF AHŞAP G TRAVERS 50 HR SHELF WOODEN G TYPE BEAM 50	 <b>Açıklama / Description</b>	   <b>H D L</b>	 <b>Kod / Code</b>
* 50mm'lik Travers içindir.	18	650 1000	1153520410006501000
	18	650 1250	1153520410006501250
	18	650 1330	1153520410006501330
*Chipboard	18	650 2000	1153520410006502000
*For 50mm beam	18	650 2500	1153520410006502500
	18	650 2700	1153520410006502700
	18	650 3000	1153520410006503000
	18	650 3300	1153520410006503300
	18	850 1000	1153520410008501000
	18	850 1250	1153520410008501250
	18	850 1330	1153520410008501330
	18	850 2000	1153520410008502000
	18	850 2500	1153520410008502500
	18	850 2700	1153520410008502700
	18	850 3000	1153520410008503000
	18	850 3300	1153520410008503300
	18	1050 1000	1153520410010501000
	18	1050 1250	1153520410010501250
	18	1050 1330	1153520410010501330
	18	1050 2000	1153520410010502000
	18	1050 2500	1153520410010502500
	18	1050 2700	1153520410010502700
	18	1050 3000	1153520410010503000
	18	1050 3300	1153520410010503300
	18	1150 1000	1153520410011501000
	18	1150 1250	1153520410011501250
	18	1150 1330	1153520410011501330
	18	1150 2000	1153520410011502000
	18	1150 2500	1153520410011502500
	18	1150 2700	1153520410011502700
	18	1150 3000	1153520410011503000
	18	1150 3300	1153520410011503300
U028 0005 00			

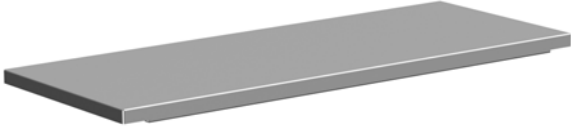
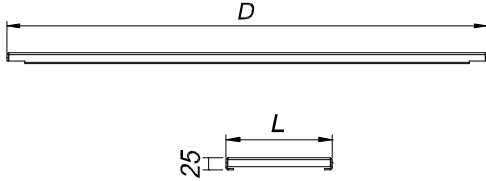




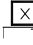
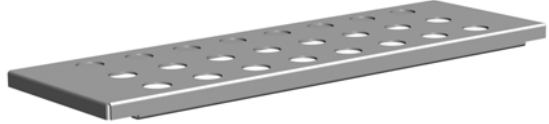


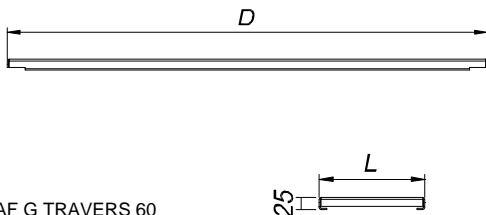
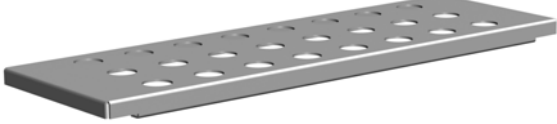
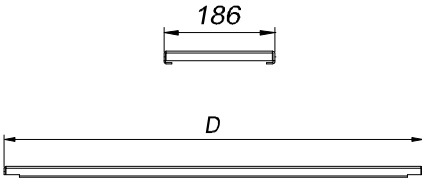
	 Açıklama / Description	 H	 D	 L	 Kod / Code	
   HR RAF AHŞAP G TRAVERS 60 HR SHELF WOODEN G TYPE BEAM 40	*Suntalam *60mm'lik Travers içindir.	18	650	1000	1153521010006501000	
		18	650	1250	1153521010006501250	
		18	650	1330	1153521010006501330	
		*Chipboard	18	650	2000	1153521010006502000
		*For 60mm beam	18	650	2500	1153521010006502500
			18	650	2700	1153521010006502700
			18	650	3000	1153521010006503000
			18	650	3300	1153521010006503300
			18	850	1000	1153521010008501000
			18	850	1250	1153521010008501250
			18	850	1330	1153521010008501330
			18	850	2000	1153521010008502000
			18	850	2500	1153521010008502500
			18	850	2700	1153521010008502700
			18	850	3000	1153521010008503000
			18	850	3300	1153521010008503300
			18	1050	1000	1153521010010501000
			18	1050	1250	1153521010010501250
			18	1050	1330	1153521010010501330
			18	1050	2000	1153521010010502000
			18	1050	2500	1153521010010502500
			18	1050	2700	1153521010010502700
			18	1050	3000	1153521010010503000
			18	1050	3300	1153521010010503300
			18	1150	1000	1153521010011501000
			18	1150	1250	1153521010011501250
			18	1150	1330	1153521010011501330
			18	1150	2000	1153521010011502000
			18	1150	2500	1153521010011502500
			18	1150	2700	1153521010011502700
			18	1150	3000	1153521010011503000
			18	1150	3300	1153521010011503300

	 Açıklama / Description	 H	 D	 L	 Kod / Code	
   HR RAF AHŞAP ARA TRAVERS 40 HR SHELF WOODEN DEPTH CONNECTOR BEAM 40	*Suntalam *40mm'lik traverse geçen ara travers ile kullanılır.	18	650	1000	1153521110006501000	
		18	650	1250	1153521110006501250	
		18	650	1330	1153521110006501330	
		*Chipboard	18	650	2000	1153521110006502000
		*For 40mm beam	18	650	2500	1153521110006502500
			18	650	2700	1153521110006502700
			18	650	3000	1153521110006503000
			18	650	3300	1153521110006503300
			18	850	1000	1153521110008501000
			18	850	1250	1153521110008501250
			18	850	1330	1153521110008501330
			18	850	2000	1153521110008502000
			18	850	2500	1153521110008502500
			18	850	2700	1153521110008502700
			18	850	3000	1153521110008503000
			18	850	3300	1153521110008503300
			18	1050	1000	1153521110010501000
			18	1050	1250	1153521110010501250
			18	1050	1330	1153521110010501330
			18	1050	2000	1153521110010502000
			18	1050	2500	1153521110010502500
			18	1050	2700	1153521110010502700
			18	1050	3000	1153521110010503000
			18	1050	3300	1153521110010503300
			18	1150	1000	1153521110011501000
			18	1150	1250	1153521110011501250
			18	1150	1330	1153521110011501330
			18	1150	2000	1153521110011502000
			18	1150	2500	1153521110011502500
			18	1150	2700	1153521110011502700
			18	1150	3000	1153521110011503000
			18	1150	3300	1153521110011503300


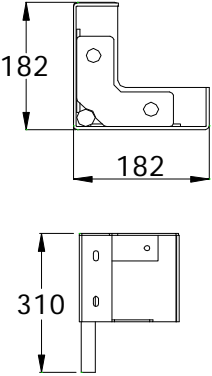






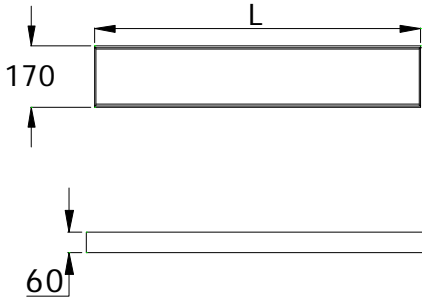
  	 Açıklama / Description	 H	 D	 L	 Kod / Code
	*Suntalam *Chipboard	18 650 1000 18 650 1250 18 650 1330 18 650 2000 18 650 2500 18 650 2700 18 650 3000 18 650 3300 18 850 1000 18 850 1250 18 850 1330 18 850 2000 18 850 2500 18 850 2700 18 850 3000 18 850 3300 18 1050 1000 18 1050 1250 18 1050 1330 18 1050 2000 18 1050 2500 18 1050 2700 18 1050 3000 18 1050 3300 18 1150 1000 18 1150 1250 18 1150 1330 18 1150 2000 18 1150 2500 18 1150 2700 18 1150 3000 18 1150 3300	1153521210006501000 1153521210006501250 1153521210006501330 1153521210006502000 1153521210006502500 1153521210006502700 1153521210006503000 1153521210006503300 1153521210008501000 1153521210008501250 1153521210008501330 1153521210008502000 1153521210008502500 1153521210008502700 1153521210008503000 1153521210008503300 1153521210010501000 1153521210010501250 1153521210010501330 1153521210010502000 1153521210010502500 1153521210010502700 1153521210010503000 1153521210010503300 1153521210011501000 1153521210011501250 1153521210011501330 1153521210011502000 1153521210011502500 1153521210011502700 1153521210011503000 1153521210011503300		
HR RAF AHŞAP ARA TRAVERS 50 HR WOODEN SHELF DEPTH CONNECTOR 50	U028 0005 00				

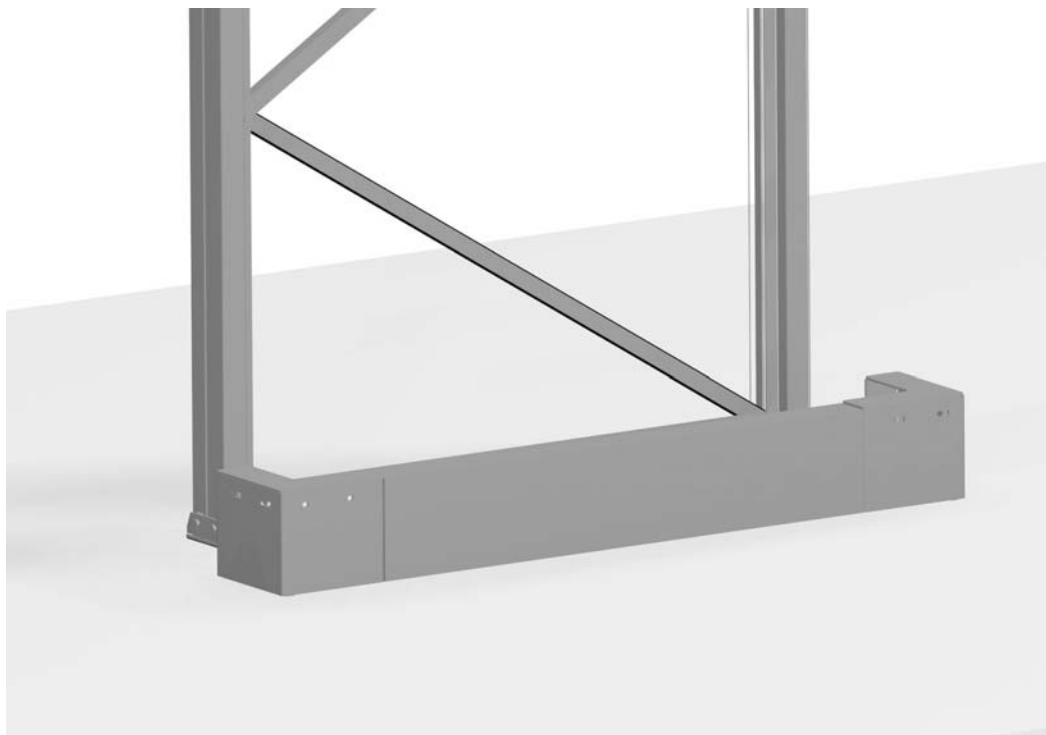
  	 Açıklama / Description	 H	 D	 L	 Kod / Code
	*Suntalam *Chipboard	18 650 1000 18 650 1250 18 650 1330 18 650 2000 18 650 2500 18 650 2700 18 650 3000 18 650 3300 18 850 1000 18 850 1250 18 850 1330 18 850 2000 18 850 2500 18 850 2700 18 850 3000 18 850 3300 18 1050 1000 18 1050 1250 18 1050 1330 18 1050 2000 18 1050 2500 18 1050 2700 18 1050 3000 18 1050 3300 18 1150 1000 18 1150 1250 18 1150 1330 18 1150 2000 18 1150 2500 18 1150 2700 18 1150 3000 18 1150 3300	1153521310006501000 1153521310006501250 1153521310006501330 1153521310006502000 1153521310006502500 1153521310006502700 1153521310006503000 1153521310006503300 1153521310008501000 1153521310008501250 1153521310008501330 1153521310008502000 1153521310008502500 1153521310008502700 1153521310008503000 1153521310008503300 1153521310010501000 1153521310010501250 1153521310010501330 1153521310010502000 1153521310010502500 1153521310010502700 1153521310010503000 1153521310010503300 1153521310011501000 1153521310011501250 1153521310011501330 1153521310011502000 1153521310011502500 1153521310011502700 1153521310011503000 1153521310011503300		
HR RAF AHŞAP ARA TRAVERS 60 HR WOODEN SHELF DEPTH CONNECTOR 60	U028 0005 00				






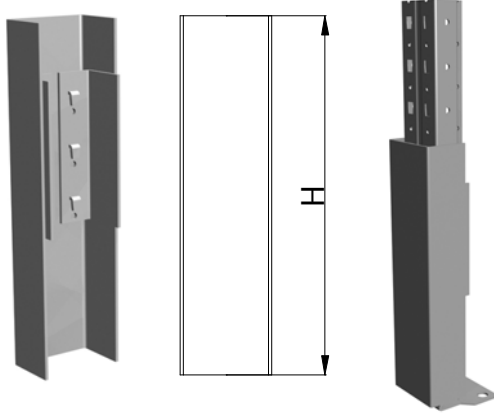
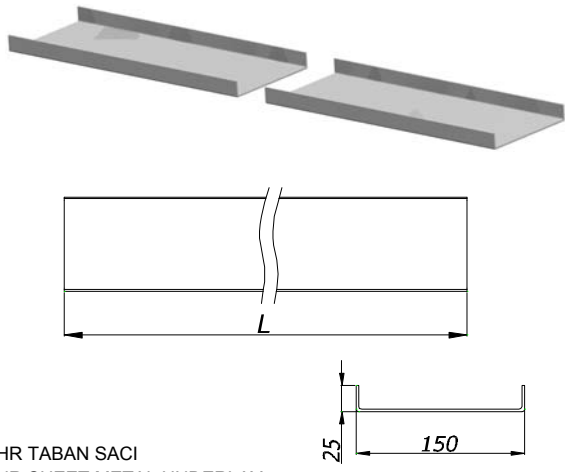
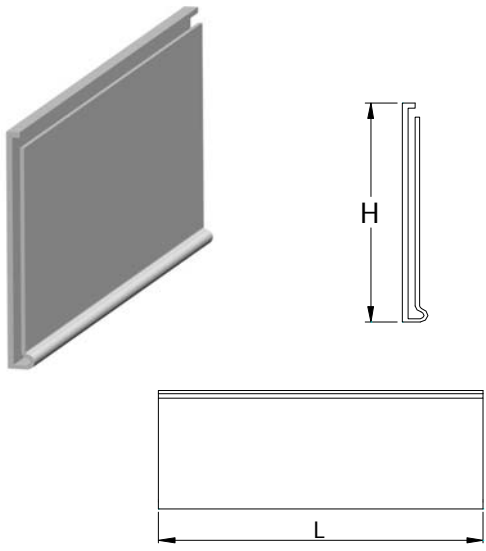
	 Açıklama / Description	 H D L	 Kod / Code
  HR RAF ETEKLİ HR SCARFED SHELF	*Tozboya *Powdercoated  * Galveniz *Galvanised  U028 0003 00	25 650 186 25 850 186 25 1050 186 25 1150 186 25 650 260 25 850 260 25 1050 260 25 1150 260  25 650 186 25 850 186 25 1050 186 25 1150 186 25 650 260 25 850 260 25 1050 260 25 1150 260	1153120132506500186 1153120132508500186 1153120132510500186 1153120132511500186 1153120132506500262 1153120132508500262 1153120132510500262 1153120132511500262  1153120172506500186 1153120172508500186 1153120172510500186 1153120172511500186 1153120172506500262 1153120172508500262 1153120172510500262 1153120172511500262
  HR RAF ETEKLİ DELİKLİ HR PERFORATED SHELF SCARFED	* Galveniz *Galvanised  U028 0003 00	25 650 186 25 850 186 25 1050 186 25 1150 186	1153110172506500186 1153110172508500186 1153110172510500186 1153110172511500186
  HR RAF G TRAVERS 40 HR SHELF G TYPE BEAM 40	*Tozboya *Powdercoated  * Galveniz *Galvanised  U028 0004 00	25 650 186 25 850 186 25 1050 186 25 1150 186 25 650 260 25 850 260 25 1050 260 25 1150 260  25 650 186 25 850 186 25 1050 186 25 1150 186 25 650 260 25 850 260 25 1050 260 25 1150 260	1153120262506500186 1153120262508500186 1153120262510500186 1153120262511500186 1153120262506500262 1153120262508500262 1153120262510500262 1153120262511500262  1153120272506500186 1153120272508500186 1153120272510500186 1153120272511500186 1153120272506500262 1153120272508500262 1153120272510500262 1153120272511500262
  HR RAF DELIKLI G TRAVERS 40 HR PERFORATED SHELF G TYPE BEAM 40	* Galveniz *Galvanised  U028 0004 00	25 650 186 25 850 186 25 1050 186 25 1150 186	1153110272506500186 1153110272508500186 1153110272510500186 1153110272511500186

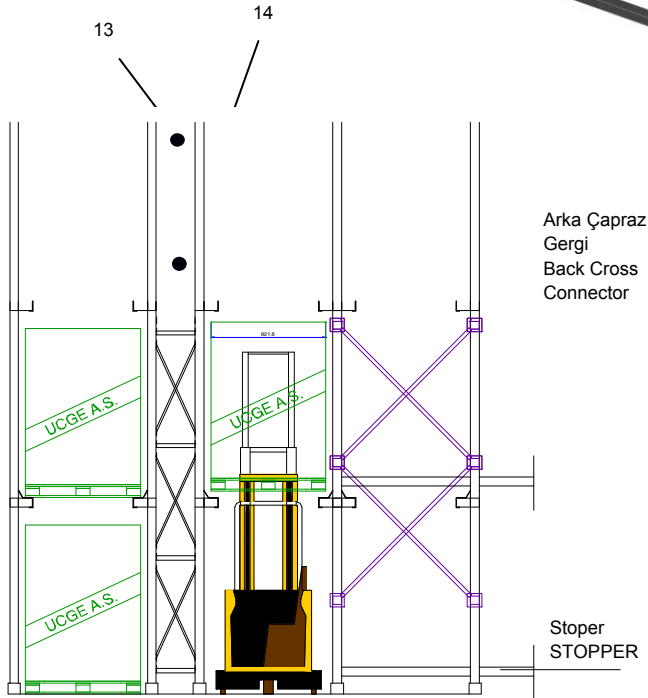
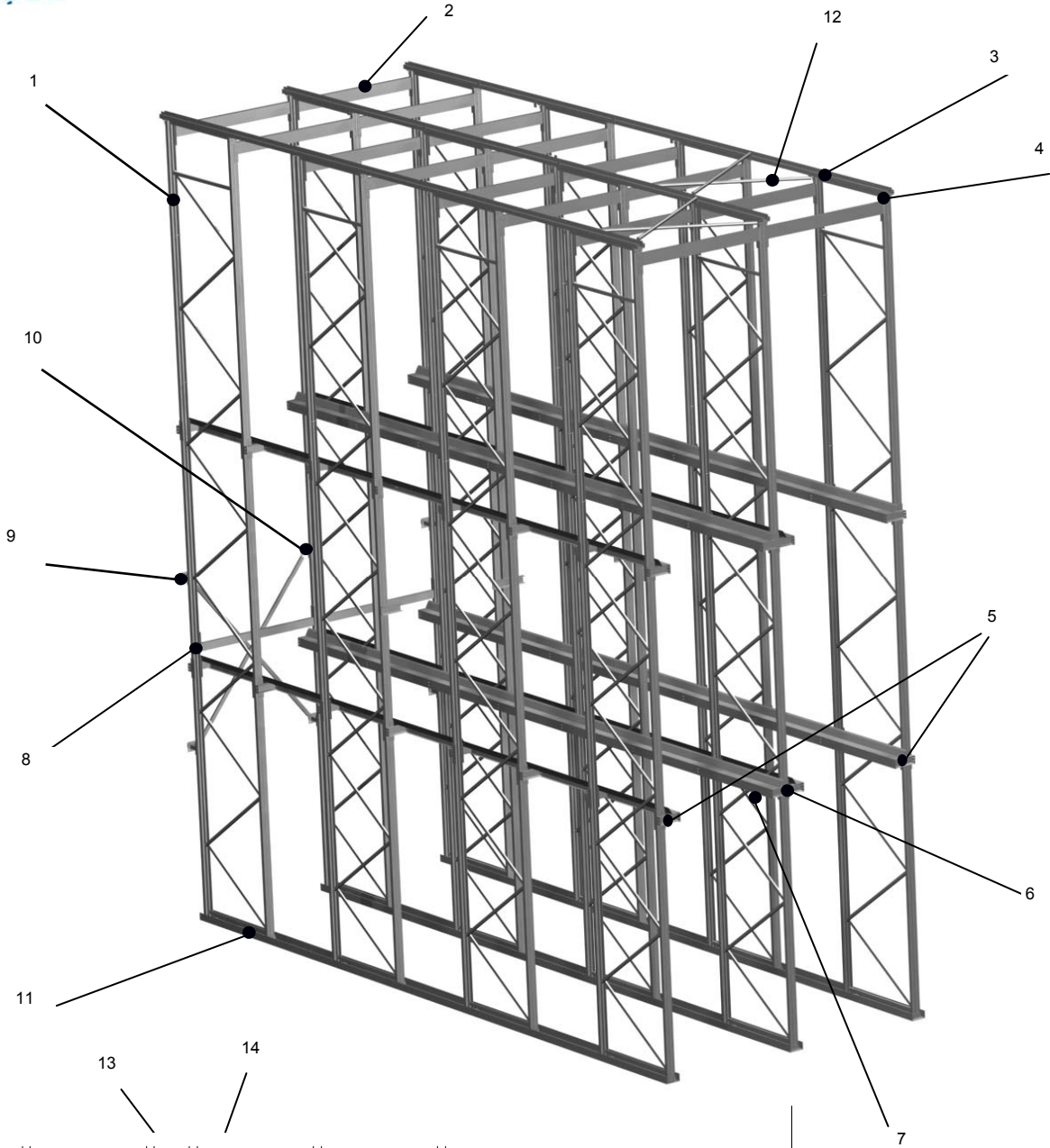
  HR RAF G TRAVERS 50 HR SHELF G TYPE BEAM 50	 <b>Açıklama / Description</b>	 <b>H</b>	 <b>D</b>	 <b>L</b>	 <b>Kod / Code</b>
	* Tozboya * Powdercoated	25 650 186 25 850 186 25 1050 186 25 1150 186 25 650 260 25 850 260 25 1050 260 25 1150 260	1153120462506500186 1153120462508500186 1153120462510500186 1153120462511500186 1153120462506500262 1153120462508500262 1153120462510500262 1153120462511500262		
* Galveniz * Galvanised	25 650 186 25 850 186 25 1050 186 25 1150 186 25 650 260 25 850 260 25 1050 260 25 1150 260	1153120472506500186 1153120472508500186 1153120472510500186 1153120472511500186 1153120472506500262 1153120472508500262 1153120472510500262 1153120472511500262			
HR RAF DELIKLI G TRAVERS 50 HR SHELF PERFORATED G TYPE BEAM 50	<b>Açıklama / Description</b>	<b>H</b>	<b>D</b>	<b>L</b>	<b>Kod / Code</b>
  HR RAF DELIKLI G TRAVERS 50 HR SHELF PERFORATED G TYPE BEAM 50	* Galveniz * Galvanised	25 650 186 25 850 186 25 1050 186 25 1150 186	1153110472506500186 1153110472508500186 1153110472510500186 1153110472511500186		
HR RAF G TRAVERS 60 HR SHELF G TYPE BEAM 60	<b>Açıklama / Description</b>	<b>H</b>	<b>D</b>	<b>L</b>	<b>Kod / Code</b>
  HR RAF G TRAVERS 60 HR SHELF G TYPE BEAM 60	* Tozboya * Powdercoated	25 650 186 25 850 186 25 1050 186 25 1150 186 25 650 260 25 850 260 25 1050 260 25 1150 260	1153121062506500186 1153121062508500186 1153121062510500186 1153121062511500186 1153121062506500262 1153121062508500262 1153121062510500262 1153121062511500262		
* Galveniz * Galvanised	25 650 186 25 850 186 25 1050 186 25 1150 186 25 650 260 25 850 260 25 1050 260 25 1150 260	1153121072506500186 1153121072508500186 1153121072510500186 1153121072511500186 1153121072506500262 1153121072508500262 1153121072510500262 1153121072511500262			
HR RAF DELIKLI G TRAVERS 60 HR SHELF PERFORATED G TYPE BEAM 60	<b>Açıklama / Description</b>	<b>H</b>	<b>D</b>	<b>L</b>	<b>Kod / Code</b>
  HR RAF DELIKLI G TRAVERS 60 HR SHELF PERFORATED G TYPE BEAM 60	* Galveniz * Galvanised	25 650 186 25 850 186 25 1050 186 25 1150 186	1153111072506500186 1153111072508500186 1153111072510500186 1153111072511500186		

	 <b>Açıklama / Description</b>	 <b>H</b>	 <b>D</b>	 <b>L</b>	 <b>Kod / Code</b>
 <p>HR DÜBEL HR BOLT</p>	*M12x100  U027 0038 00				1020503H 012100
 <p>HR EMNİYET PİMİ HR SAFEGUARD PIN</p>	U027 0003 00	25	20	Ø7	1156214070000000004
 <p>HR AYAK PLAKASI HR MODULAR FRAME PLATE</p>	U027 0024 00	140	160		115414120000000001
  <p>HR AYAR PLAKASI HR ADJUSTING PLATE</p>	* 2,5 mm Sac/2,5 mm Sheet * 4 mm Sac/4 mm Sheet  U027 0019 00	140	170	170	1156108020000000001 1156108040000000001

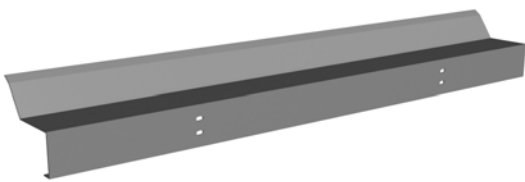

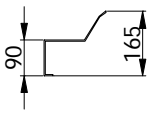



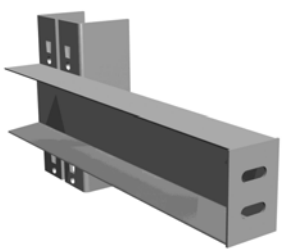
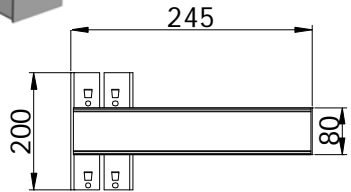
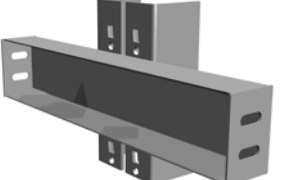
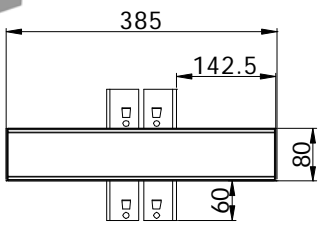
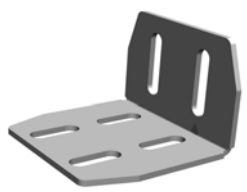
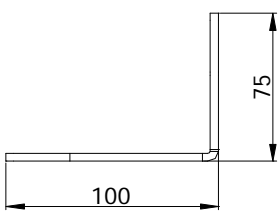
  <p data-bbox="172 629 464 678">HR REYONBAŞI KÖŞE BARIYER HR ENDUNIT CORNER BUMPER</p>	 <p data-bbox="788 264 1018 293">Açıklama / Description</p>	 <p data-bbox="1050 264 1070 293">H</p>	 <p data-bbox="1107 264 1128 293">D</p>	 <p data-bbox="1163 264 1184 293">L</p>	 <p data-bbox="1257 264 1374 293">Kod / Code</p>
  <p data-bbox="172 1283 405 1332">HR REYONBAŞI BARIYER HR END UNIT BUMPER</p>	<p data-bbox="788 694 1018 723">Açıklama / Description</p> <p data-bbox="772 1283 938 1312">U040 0007 02</p>	<p data-bbox="1050 745 1070 775">170</p> <p data-bbox="1050 775 1070 804">170</p> <p data-bbox="1050 804 1070 833">170</p> <p data-bbox="1050 833 1070 862">170</p>	<p data-bbox="1107 745 1128 775">60</p> <p data-bbox="1107 775 1128 804">60</p> <p data-bbox="1107 804 1128 833">60</p> <p data-bbox="1107 833 1128 862">60</p>	<p data-bbox="1163 745 1184 775">650</p> <p data-bbox="1163 775 1184 804">850</p> <p data-bbox="1163 804 1184 833">1050</p> <p data-bbox="1163 833 1184 862">1150</p>	<p data-bbox="1257 694 1374 723">Kod / Code</p> <p data-bbox="1219 745 1422 775">1156156040180000651</p> <p data-bbox="1219 775 1422 804">1156156040180000851</p> <p data-bbox="1219 804 1422 833">1156156040180001051</p> <p data-bbox="1219 833 1422 862">1156156040180001151</p>

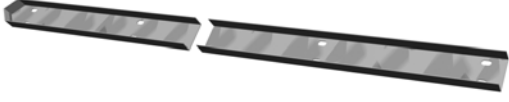

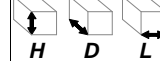

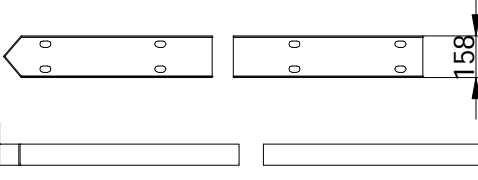
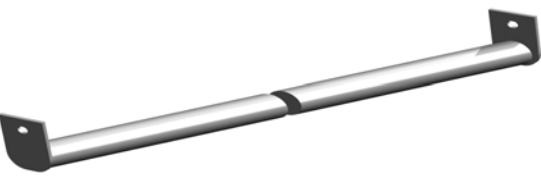
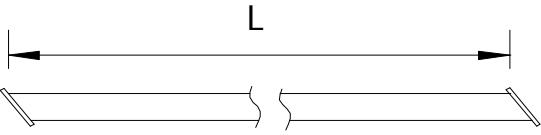
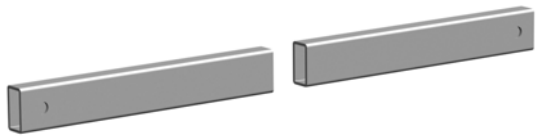
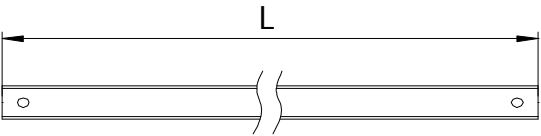

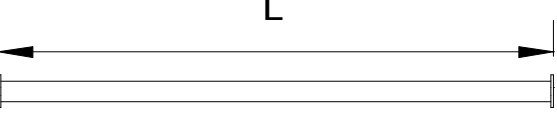



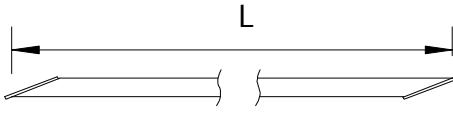




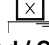
	 Açıklama / Description	 H	 D	 L	 Kod / Code
 <p>HR AYAK KORUYUCU HR MODULAR FRAME PROTECTOR</p>	U040 0008 00			300 450 500 550	1156155040300000001 1156155040450000001 1156155040500000001 1156155040550000001
 <p>HR TABAN SACI HR SHEET METAL UNDERLAY</p>	MODEL!			650 850 1050 1150	11541611000000651 11541611000000851 11541611000001051 11541611000001151
 <p>HR TRAVERS ETİKETİ PRICE STRIP FOR HR HEAVY DUTY BEAM</p>	U027 0055 00			39 55	2660 2660 1051 PR-SCA 006 266 1051 PR-SCA 007 266



NO	ADI / DESCRIPTION
1	HR AYAK / HR MODULAR FRAME
2	HR TRAVERS ÜST BAĞLANTI HR BEAM TOP CONNECTOR
3	HR ÜST BAĞLANTI PROFİLİ HR TOP CONNECTOR PROFILE
4	HR ÜST BAĞLANTI APARATI HR TOP CONNECTOR HOLDER
5	HR TEKLİ DESTEK TUTUCU SAĞ - SOL HR SINGLE SUPPORT HOLDER L-R
6	HR ÇİFTLİ DESTEK TUTUCU HR DOUBLE SUPPORT HOLDER
7	HR DESTEK SACI / HR SUPPORT SHEET
8	HR STOPER TRAVERS/HR SUPPORT SHEE
9	HR BAĞLANTI GERĞİ TEK YÖNLÜ HR CONNECTOR ONE SIDED
10	HR ARKA ÇAPRAZ GERĞİ PROFİLİ HR BACK CROSS CONNECTOR PROFILE
11	HR KILAVUZ RAYI / HR GUIDE RAIL
12	HR ÜST GERĞİ PROFİLİ HR TOP CONNECOR PROFILE
13	HR MODUL DÜZ ARKA GERĞİ PROFİLİ HR MODULE STRAIGHT BACK
14	HR MODUL ÇAPRAZ ARKA GERĞİ PROFİLİ HR MODULE CROSS CONNECTOR BACK PROFIL

  	 <b>Açıklama / Description</b>	 <b>H D L</b>	 <b>Kod / Code</b>
HR DESTEK SACI HR SUPPORT SHEET	* Tozboya * Powdercoated * Galveniz * Galvanised	1000 1000	1156110020000001001 1156110020000001004
 	<b>Açıklama / Description</b> * Tozboya Sağ * Powdercoated Right * Tozboya Sol * Powdercoated Left * Galveniz Sağ * Galvanised Right * Galveniz Sol * Galvanised Left	<b>H D L</b> 200 245 200 245 200 245 200 245	<b>Kod / Code</b> 115611110000000001 1156181110000000001 115611110000000004 1156181110000000004
 	<b>Açıklama / Description</b> * Tozboya * Powdercoated * Galveniz * Galvanised	<b>H D L</b> 200 385 200 385	<b>Kod / Code</b> 1156112110000000001 1156112110000000004
 	<b>Açıklama / Description</b> * Galveniz * Galvanised	<b>H D L</b> 75 100	<b>Kod / Code</b> 1156157040000000004

 HR KILAVUZ RAYI HR GUIDE RAIL	 Açıklama / Description	 H D L	 Kod / Code
		* Tozboya * Powdercoated * Galveniz * Galvanised	158 1000 158 1000
 HR ÜST GERĞİ PROFİLİ HR TOP CONNECTOR PROFILE	* Tozboya * Powdercoated * Galveniz * Galvanised	1200 1300 1200 1300	1156182210000001351 1156182210000001451 1156182210000001354 1156182210000001454
	* Tozboya * Powdercoated * Galveniz * Galvanised	20 40 1000 20 40 1000	1156166150000001001 1156166150000001004
 HR ÇAPRAZ GERĞİ PROFİLİ HR CROSS CONNECTOR PROFILE	* Tozboya * Powdercoated * Galveniz * Galvanised	1000 1000	1156167210000001001 1156167210000001004
	* Tozboya * Powdercoated * Galveniz * Galvanised	1000 1000	1156167210000001001 1156167210000001004
 HR MODUL DUZ ARKA GERĞİ PROFİLİ HR MODULE STRAIGHT BACK CONNECTOR PROFILE	* Tozboya * Powdercoated * Galveniz * Galvanised	1000 1000	1156167210000001001 1156167210000001004
	* Tozboya * Powdercoated * Galveniz * Galvanised	1000 1000	1156167210000001001 1156167210000001004

  HR MODUL ÇAPRAZ ARKA GERĞİ PROFİLİ HR MODULE CROSS BACK CONNECTOR PROFILE	 <b>Açıklama / Description</b>	 <b>H</b>	 <b>D</b>	 <b>L</b>	 <b>Kod / Code</b>
	* Tozboya * Powdercoated * Galveniz * Galvanised			1000  1000	1156161210000001001  1156161210000001004



Shopfitting&Storage-Shelves Systems

Bursa Organize Sanayi Bölgesi Kahverengi Cd. No: 16 Bursa-TÜRKİYE

T: + 90 224 280 00 00 F: +90 224 280 00 80

[www.ucge.com](http://www.ucge.com)